



2011 ROAD Spare Parts & Tools

WHEELS / RUOTE / ROUES

RACING SPEED™ XLR tubular	3
RACING SPEED™ tubular	6
RACING LIGHT™ XLR clincher	9
RACING LIGHT™ XLR tubular	10
RACING ZERO™ clincher	13
RACING ZERO™ tubular	14
RACING ZERO™ 2-Way fit™	15
RACING 1™ clincher	18
RACING 1™ 2-Way fit™	19
RACING 3™ clincher	22
RACING 3™ 2-Way fit™	23
RACING 5™ clincher	26
RACING 7™ clincher	28
RACING CHRONO™	30
Quick-releases / bloccaggi / blocages	31

CRANKSETS / GUARNITURE / PEDALIER

RACING TORQ™ RRS	32
RACING TORQ™ RRS CT™	33
RACING TORQ™ RS	34
RACING TORQ™ RS CT™	35
RACING TORQ™ R	36
RACING TORQ™ R CT™	37
Tools & Various / Utensili e Varie / Outils et diverses	38

INDEX

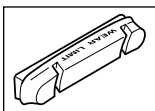
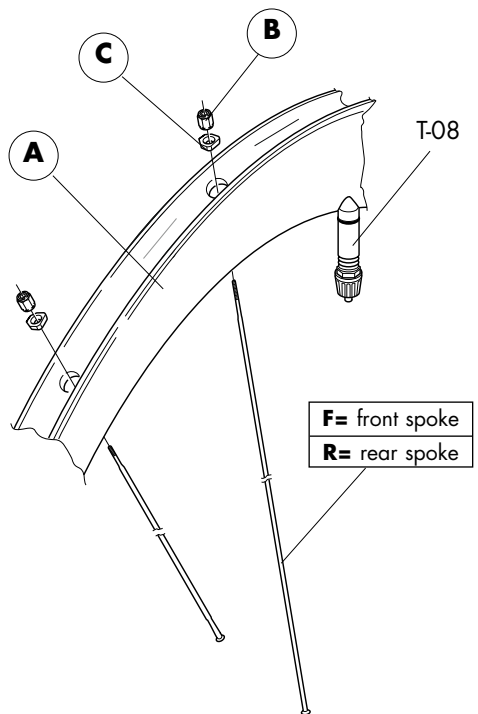
code 7269466 - 07/2010 - © Fulcrum Wheels S.r.l. 2010

PLEASE TAKE NOTE THAT ALL UPDATED INSTRUCTIONS ARE AVAILABLE ON www.fulcrumwheels.com



RACING SPEED™ XLR tubular

RIMS & SPOKES/CERCHI E RAGGI/JANTES ET RAYONS



BR-RE701/2 (Campagnolo)
BR-701X/2 (Shimano Dura-Ace)

COMPLETE WHEELS	RIM (A)	SPOKE MINI-KIT
FRONT		
RS-9TF tubular 28"	RSF-TRK01	RS-MK01 2 x F 265mm 2 x R 260mm 1 x R 266mm 5 x B 5 x C
REAR		
RS-9TRKC RS-9TRKS tubular 28"	RSR-TRK01	

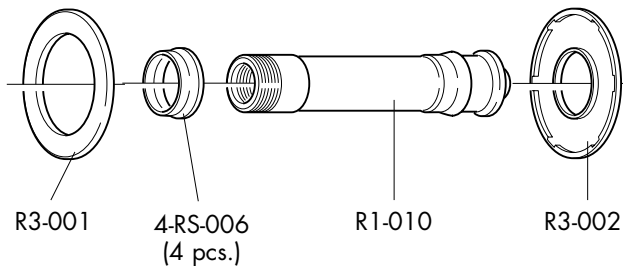
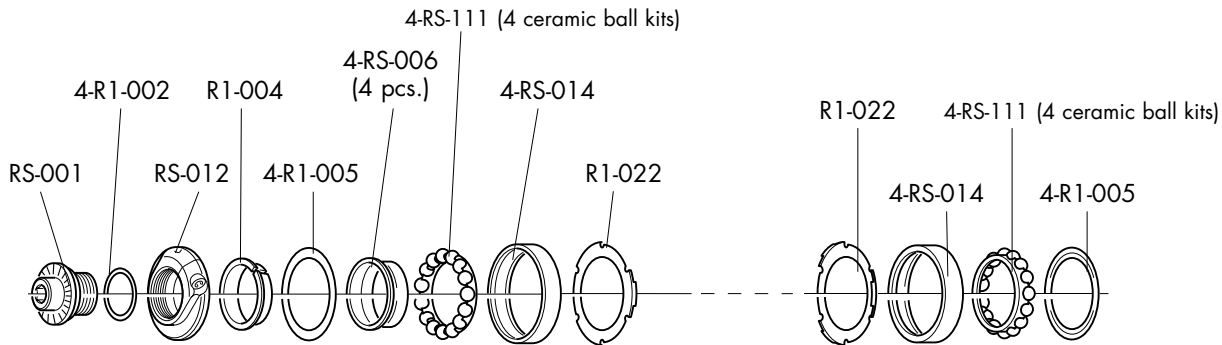
Compl. SPOKE KIT	
FRONT COMPLETE	REAR COMPLETE
RSF-SK 18 x F 265mm 18 x B 18 x C	RSR-SK01 14 x R 260mm 7 x R 266mm 21 x B 21 x C

B	C	COMPLETE LABEL KIT
RS-B (10 pcs.)	RS-C (10 pcs.)	(front+rear) RS-LAB9T



RACING SPEED™ XLR

FRONT HUB/MOZZO ANTERIORE/MOYEU AVANT

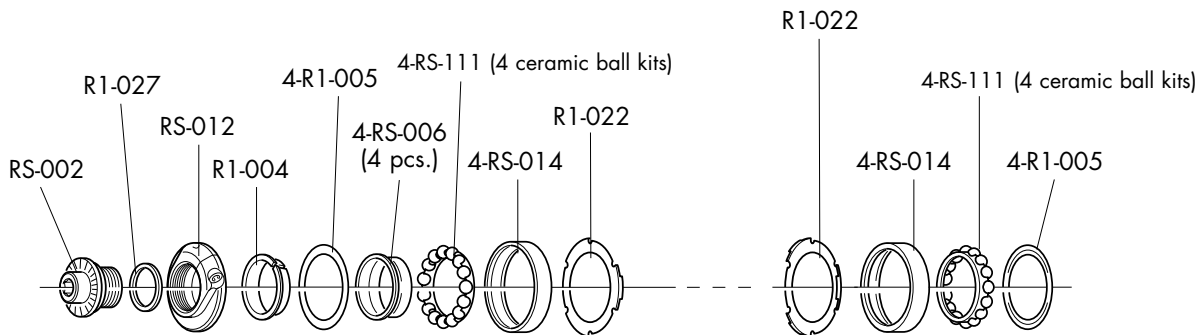


RS-200 KIT CULT™ / CULT™ KIT	
2 x	R1-005
2 x	RS-006
2 x	RS-014
2 x	RS-111



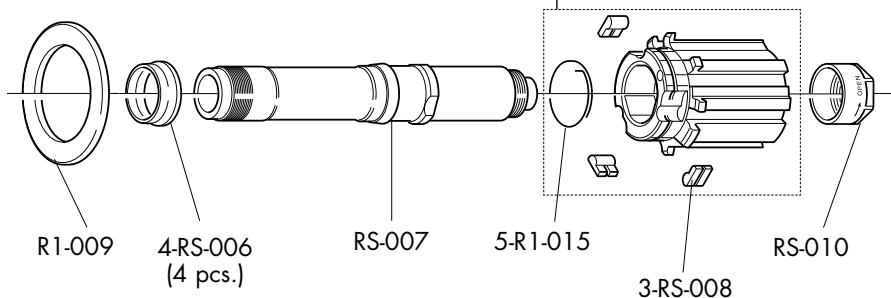
RACING SPEED™ XLR

REAR HUB/MOZZO POSTERIORE/MOYEU ARRIERE



RS-005 (RL tipo Campy 9-10-11 / Campy 9-10-11 type FW)
RS-013 (RL tipo HG 8-9-10 / HG 8-9-10 type FW)

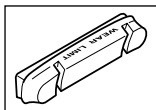
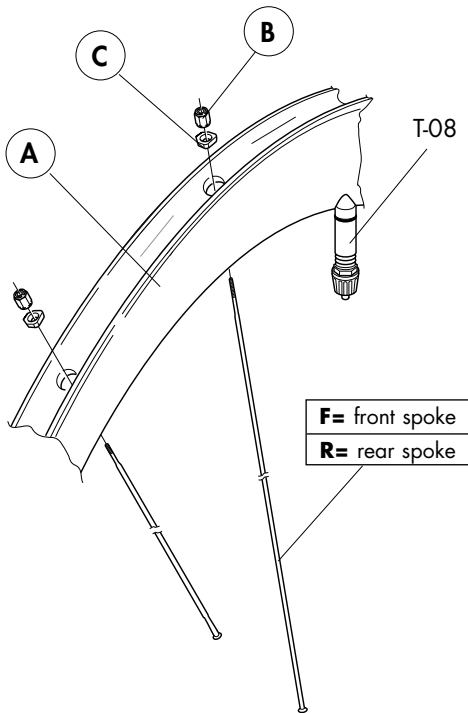
RS-200
KIT CULT™ / CULT™ KIT
2 x R1-005
2 x RS-006
2 x RS-014
2 x RS-111





RACING SPEED™ tubular

RIMS & SPOKES/CERCHI E RAGGI/JANTES ET RAYONS



BR-RE701/2 (Campagnolo)
BR-701X/2 (Shimano Dura-Ace)

COMPLETE WHEELS	RIM (A)	SPOKE MINI-KIT
FRONT		
RS-10TFAK tubular 28"	RSF-TRK02	RS-MK02 2 x F 265mm 2 x R 263,5mm 2 x R 266mm
REAR		
RS-10TRAKC RS-10TRAKS tubular 28"	RSR-TRK02	6 x B 6 x C

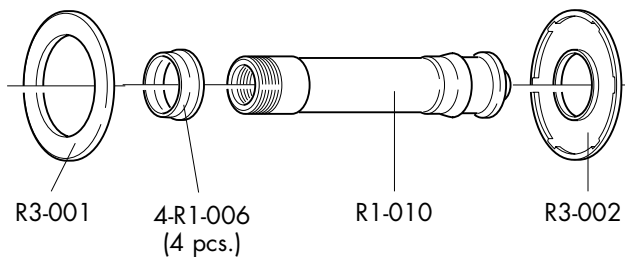
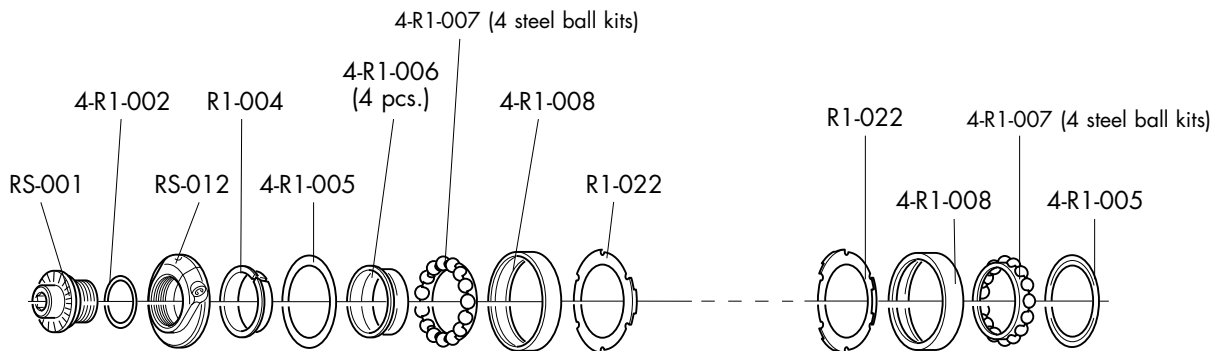
Compl. SPOKE KIT	
FRONT COMPLETE	REAR COMPLETE
RSF-SK02 18 x F 265mm 18 x B 18 x C	RSR-SK02 14 x R 263,5mm 7 x R 266mm 21 x B 21 x C

B	C	COMPLETE LABEL KIT (front+rear) RS-LAB10TAK
RS-B (10 pcs.)	RS-C (10 pcs.)	



RACING SPEED™

FRONT HUB/MOZZO ANTERIORE/MOYEU AVANT

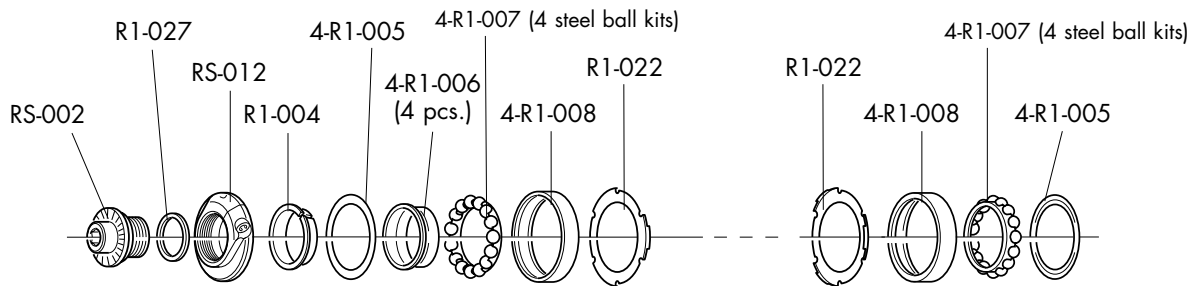


RS-100 KIT MOZZO / HUB KIT	
2 x	R1-005
2 x	R1-006
2 x	R1-008
2 x	R1-007



RACING SPEED™

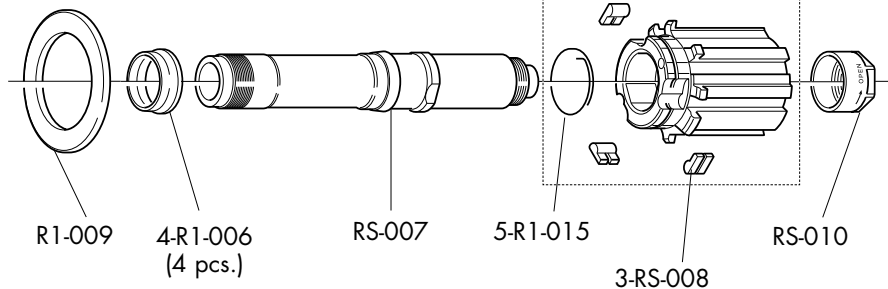
REAR HUB/MOZZO POSTERIORE/MOYEU ARRIERE



RS-005 (RL tipo Campy 9-10-11 / Campy 9-10-11 type FW)
RS-013 (RL tipo HG 8-9-10 / HG 8-9-10 type FW)

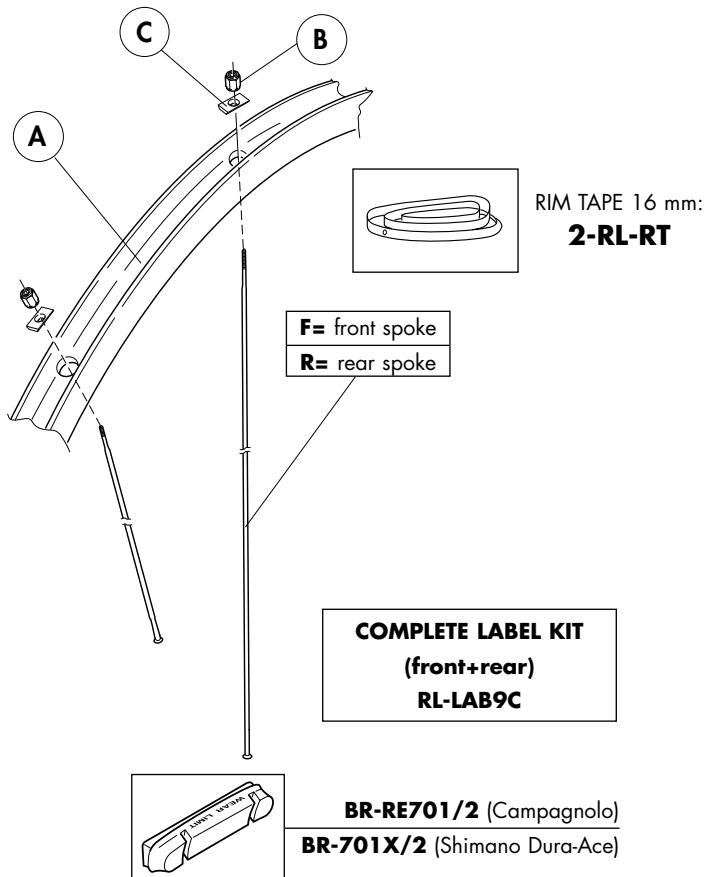
**RS-100
KIT MOZZO / HUB KIT**

- 2 x R1-005
- 2 x R1-006
- 2 x R1-008
- 2 x R1-007



RACING LIGHT™ XLR clincher

RIMS & SPOKES/CERCHI E RAGGI/JANTES ET RAYONS



COMPLETE WHEELS	RIM (A)	SPOKE MINI-KIT
FRONT		
RL-9CFK clincher 28"	RLF-CRK01	RL-MK01 3 x F/R 290mm 2 x R 282mm 5 x B 5 x C
REAR		
RL-9CRKC RL-9CRKS clincher 28"	RLR-CRK01	

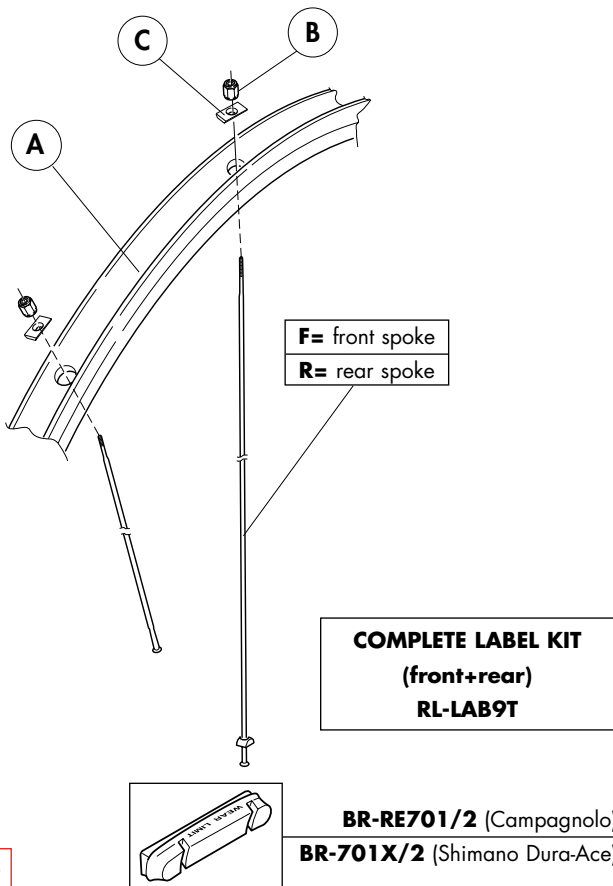
Compl. SPOKE KIT	
FRONT COMPLETE	REAR COMPLETE
RLF-SK 22 x F/R 290mm 22 x B 22 x C	RLR-SK01 16 x R 282mm 8 x F/R 290mm 24 x B 24 x C

B	C front	C rear
RS-B (10 pcs.)	RL-CF (10 pcs.)	RL-CR (10 pcs.)



RACING LIGHT™ XLR tubular

RIMS & SPOKES/CERCHI E RAGGI/JANTES ET RAYONS



COMPLETE WHEELS	RIM (A)	SPOKE MINI-KIT
FRONT		
RL-9TFK tubular 28"	RLF-TRK01	RL-TMK01 3 x F/R 292mm 2 x R 284mm 5 x B 5 x C
REAR		
RL-9TRKC RL-9TRKS tubular 28"	RLR-TRK01	

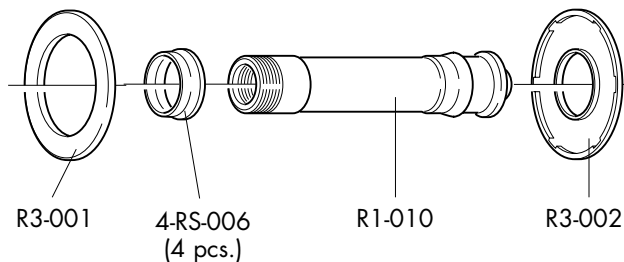
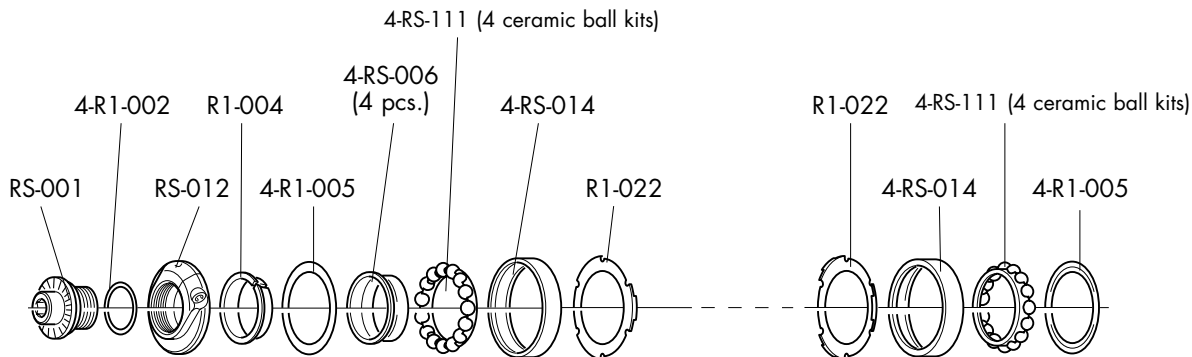
Compl. SPOKE KIT	
FRONT COMPLETE	REAR COMPLETE
RLF-TSK01 22 x F/R 292mm 22 x B 22 x C	RLR-TSK01 8 x F/R 292mm 16 x R 284mm 24 x B 24 x C

B	C
RS-B (10 pcs.)	RL-CF (10 pcs.)



RACING LIGHT™ XLR

FRONT HUB/MOZZO ANTERIORE/MOYEU AVANT

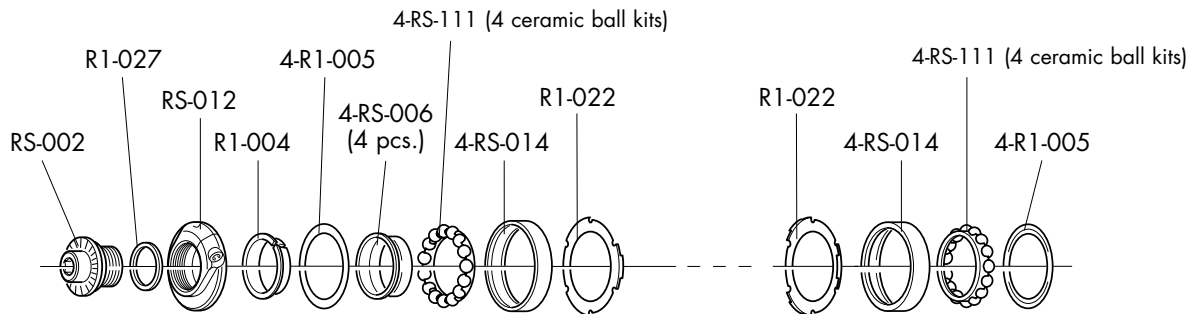


RS-200 KIT CULT™ / CULT™ KIT
2 x R1-005
2 x RS-006
2 x RS-014
2 x RS-111



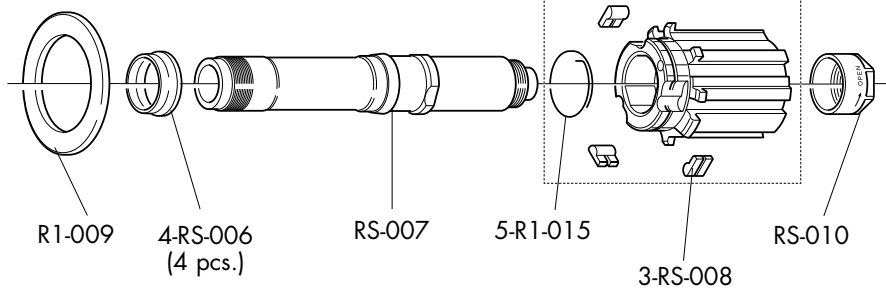
RACING LIGHT™ XLR

REAR HUB/MOZZO POSTERIORE/MOYEU ARRIERE



RS-005 (RL tipo Campy 9-10-11 / Campy 9-10-11 type FW)

RS-013 (RL tipo HG 8-9-10 / HG 8-9-10 type FW)

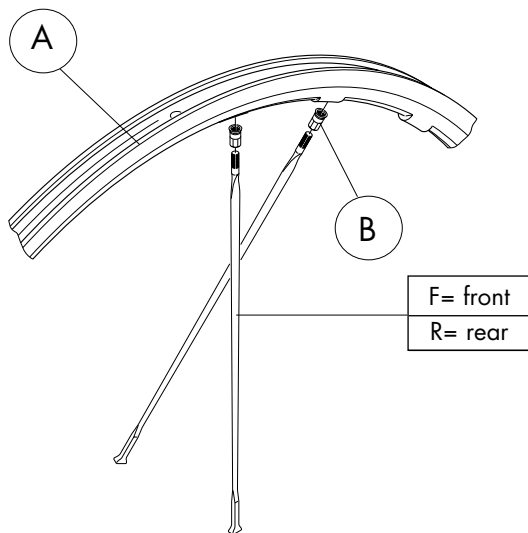


RS-200
KIT CULT™ / CULT™ KIT

2 x R1-005
2 x RS-006
2 x RS-014
2 x RS-111

RACING ZERO™ clincher

RIMS & SPOKES/CERCHI E RAGGI/JANTES ET RAYONS



COMPLETE WHEELS	RIM (A)	Compl. KIT
FRONT		
RO-10CFRB	ROF-CRB01	ROF-SKB01 16 x F/R 279,2mm
REAR		
RO-10CRRBC RO-10CRRBC	ROR-CRB01	ROR-SKB01 14 x F/R 279,2mm 7 x R left 276,5mm

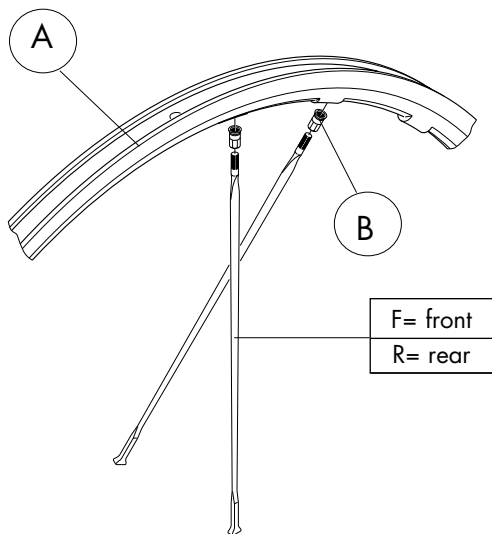
SINGLE SPOKES		NIPPLES (B)
ROF-SB01 L. 279,2 mm (1F/R right+1B)	ROR-SB01 L. 276,5 mm (1R left+1B)	10-RO-015 (10 pcs.)

COMPLETE LABEL KIT (front+rear)
RO-LAB10CB



RACING ZERO™ tubular

RIMS & SPOKES/CERCHI E RAGGI/JANTES ET RAYONS



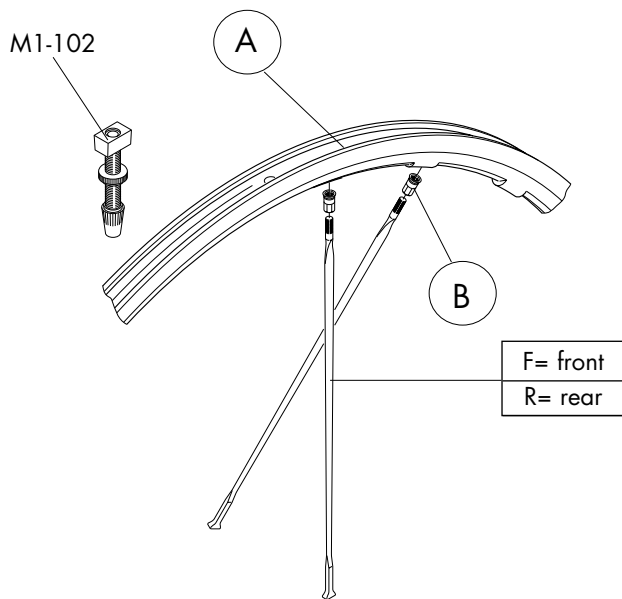
COMPLETE WHEELS	RIM (A)	Compl. KIT
FRONT		
RO-10TFRB	ROF-TRB01	ROF-SKR01 16 x F/R 279,2mm
REAR		
RO-10TRRBC RO-10TRRBS	ROR-TRB01	ROR-SKR01 14 x F/R 279,2mm 7 x R left 276,5mm

SINGLE SPOKES		NIPPLES (B)
ROF-SRO1 L. 279,2 mm (1F/R right+1B)	ROR-SRO1 L. 276,5 mm (1R left+1B)	10-RO-015 (10 pcs.)

COMPLETE LABEL KIT (front+rear)
RO-LAB10TRB

RACING ZERO™ 2-Way fit™

RIMS & SPOKES/CERCHI E RAGGI/JANTES ET RAYONS



COMPLETE WHEELS	RIM (A) + M1-102	Compl. KIT
FRONT		
RO-102FRB	ROF-2RB01	ROF-SKRO1 16 x F/R 279,2mm
REAR		
RO-102RRBC RO-102RRBS	ROR-2RB01	ROR-SKRO1 14 x F/R 279,2mm 7 x R left 276,5mm

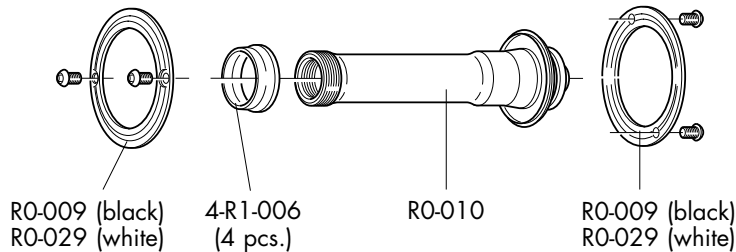
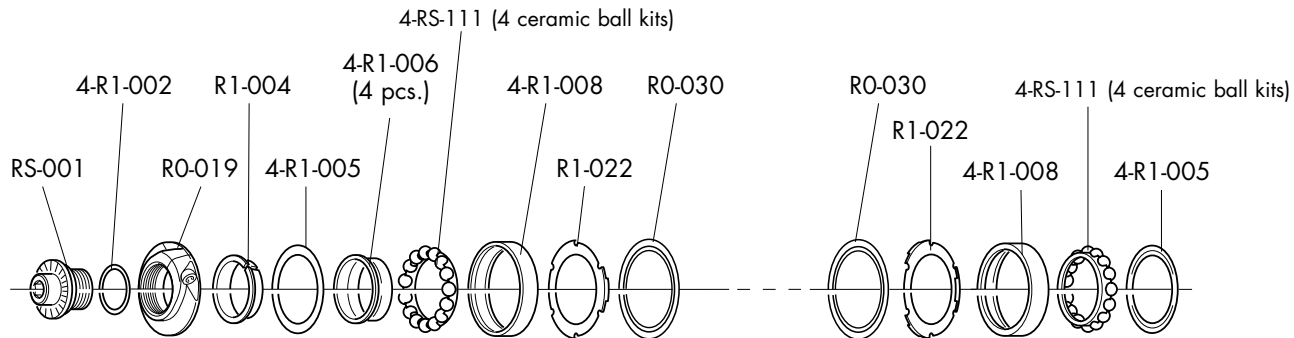
SINGLE SPOKES		NIPPLES (B)
ROF-SRO1 L. 279,2 mm (1F/R right+1B)	ROR-SRO1 L. 276,5 mm (1R left+1B)	10-RO-015 (10 pcs.)

COMPLETE LABEL KIT (front+rear)
RO-LAB102RB



RACING ZERO™

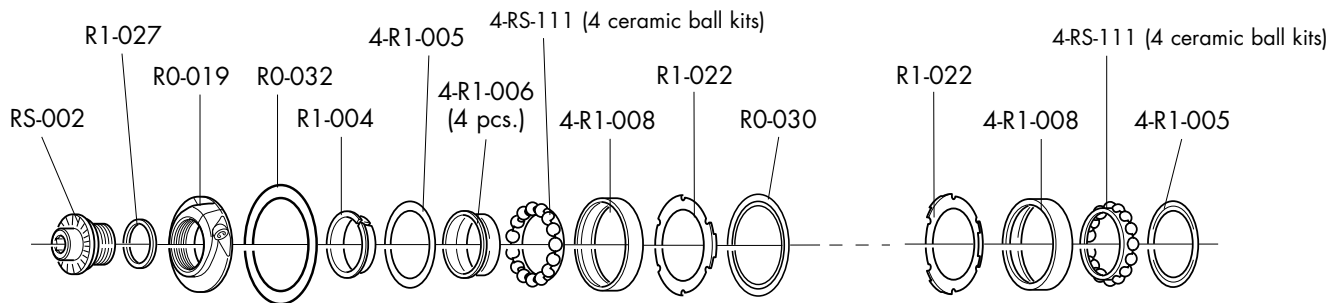
FRONT HUB/MOZZO ANTERIORE/MOYEU AVANT



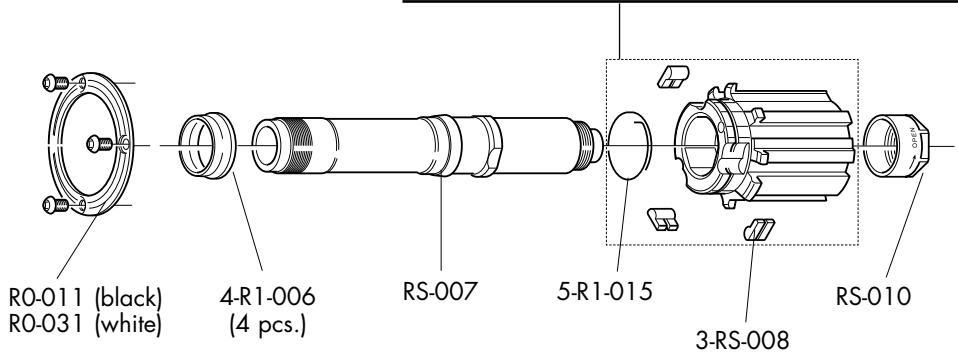


RACING ZERO™

REAR HUB/MOZZO POSTERIORE/MOYEU ARRIERE



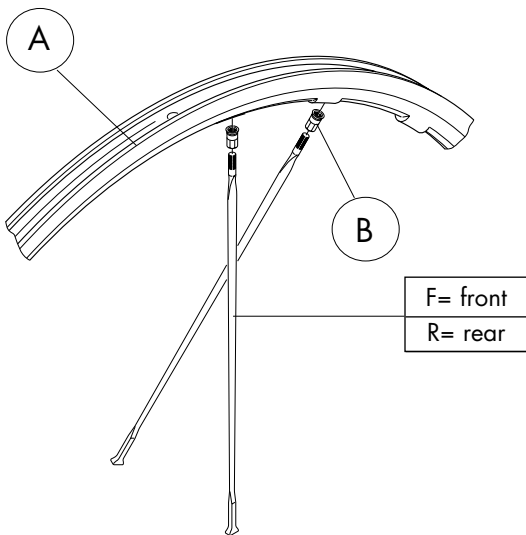
RS-005 (RL tipo Campy 9-10-11 / Campy 9-10-11 type FW)
RS-013 (RL tipo HG 8-9-10 / HG 8-9-10 type FW)





RACING 1™ clincher

RIMS & SPOKES/CERCHI E RAGGI/JANTES ET RAYONS



COMPLETE WHEELS	RIM (A)	Compl. KIT	NIPPLES (B)
FRONT			
R1-11CFB	R1F-CRB11	R1F-SKS01 16 x F/R 279,2mm	10-RO-015 (10 pcs.)
REAR			
R1-11CRBC R1-11CRBS	R1R-CRB11	R1R-SKS01 14 x F/R 279,2mm 7 x R 276,5mm	

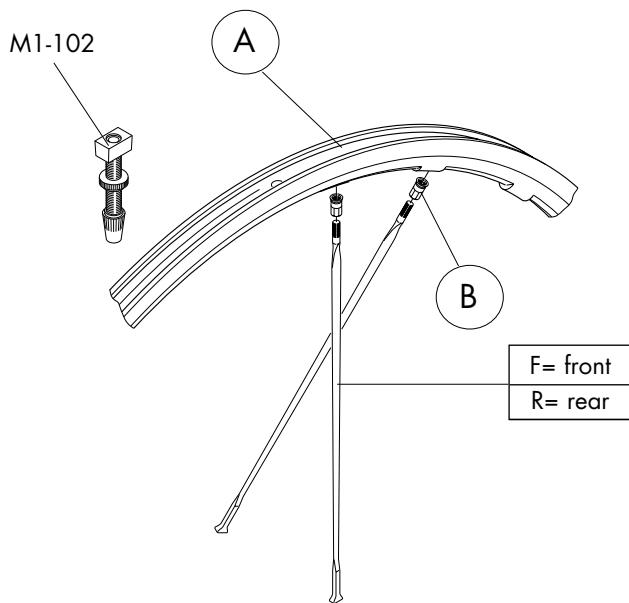
SINGLE SPOKES	
R1F-SS01 L. 279,2 mm (1F/R right+1B)	R1R-SS01 L. 276,5 mm (1R left+1B)

COMPLETE LABEL KIT (front+rear) R1-LAB11CB



RACING 1™ 2-Way fit™

RIMS & SPOKES/CERCHI E RAGGI/JANTES ET RAYONS



COMPLETE WHEELS	RIM (A)	Compl. KIT	NIPPLES (B)
FRONT			
R1-102FB	R1F-2RB01	ROF-SKB01 16 x F/R 279,2mm	10-RO-015 (10 pcs.)
REAR			
R1-102RBC R1-102RBS	R1R-2RB01	ROR-SKB01 14 x F/R 279,2mm 7 x R 276,5mm	

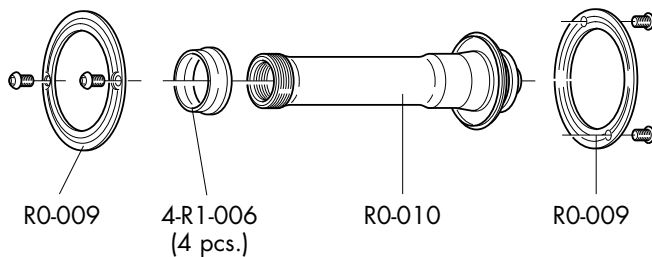
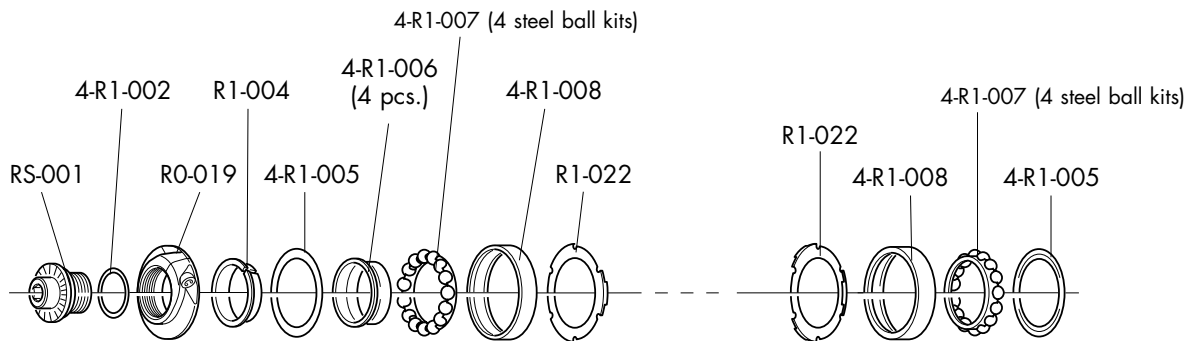
SINGLE SPOKES	
ROF-SB01 L. 279,2 mm (1F/R right+1B)	ROR-SB01 L. 276,5 mm (1R left+1B)

COMPLETE LABEL KIT (front+rear) R1-LAB102B



RACING 1™

FRONT HUB/MOZZO ANTERIORE/MOYEU AVANT



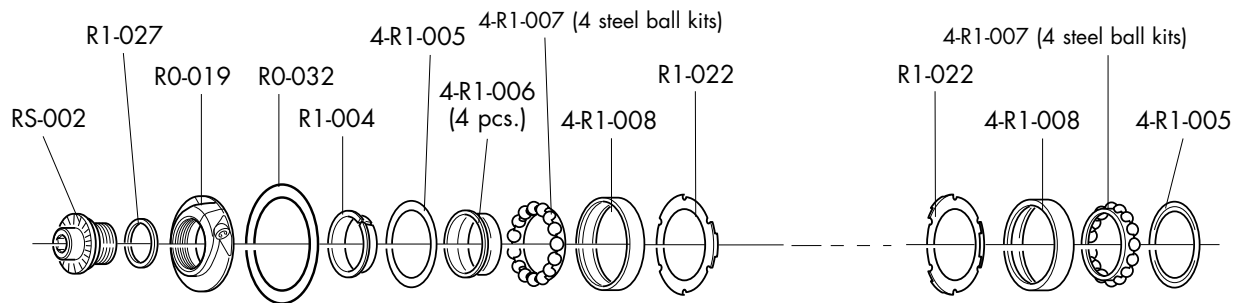
RS-100 KIT MOZZO / HUB KIT

- 2 x R1-005
- 2 x R1-006
- 2 x R1-008
- 2 x R1-007



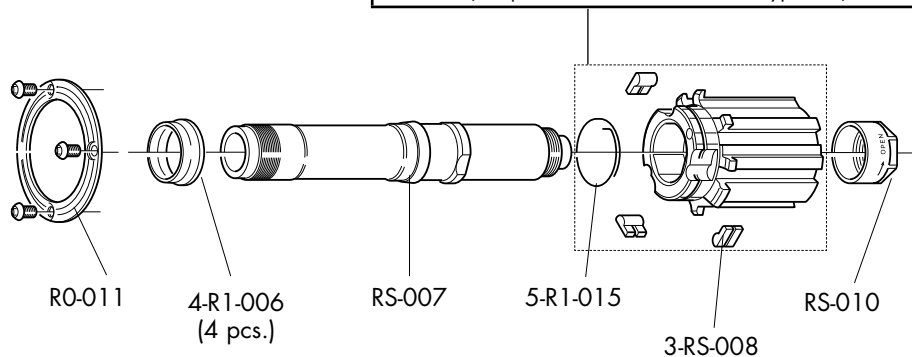
RACING 1™

REAR HUB/MOZZO POSTERIORE/MOYEU ARRIERE



RS-005 (RL tipo Campy 9-10-11 / Campy 9-10-11 type FW)

RS-013 (RL tipo HG 8-9-10 / HG 8-9-10 type FW)



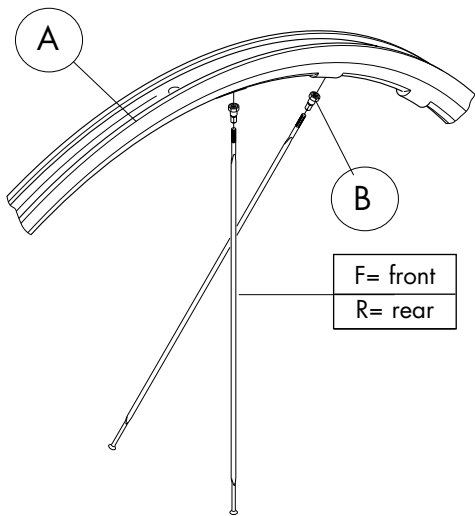
RS-100 KIT MOZZO / HUB KIT

- 2 x R1-005
- 2 x R1-006
- 2 x R1-008
- 2 x R1-007



RACING 3™ clincher

RIMS & SPOKES/CERCHI E RAGGI/JANTES ET RAYONS



COMPLETE LABEL KIT (front+rear)
R3-LAB11CB

COMPLETE WHEELS	RIM (A)	SPOKE MINI-KIT
FRONT		
R3-11CFB	R3F-CRB11	R3-2MKB 2 x F 281mm 2 x R 284mm
REAR		
R3-11CRBC R3-11CRBS	R3R-CRB11	1 x R 282mm 5 x B

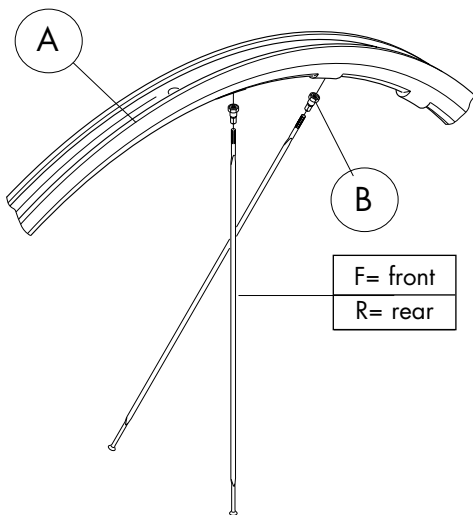
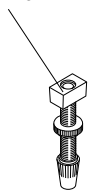
Compl. SPOKE KIT	
FRONT COMPLETE	REAR COMPLETE
R3F-2SKB 16 x F 281mm 16 x B	R3R-2SKB 14 x R 284mm 7 x R 282mm 21 x B



RACING 3™ 2-Way fit™

RIMS & SPOKES/CERCHI E RAGGI/JANTES ET RAYONS

M1-102



COMPLETE LABEL KIT (front+rear)
R3-LAB102B

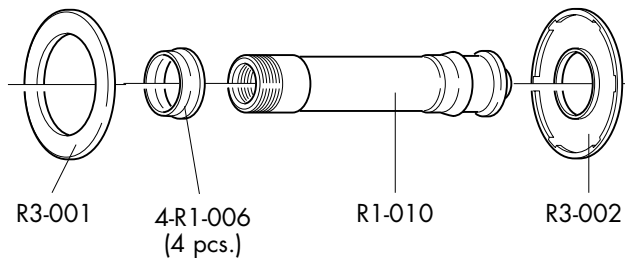
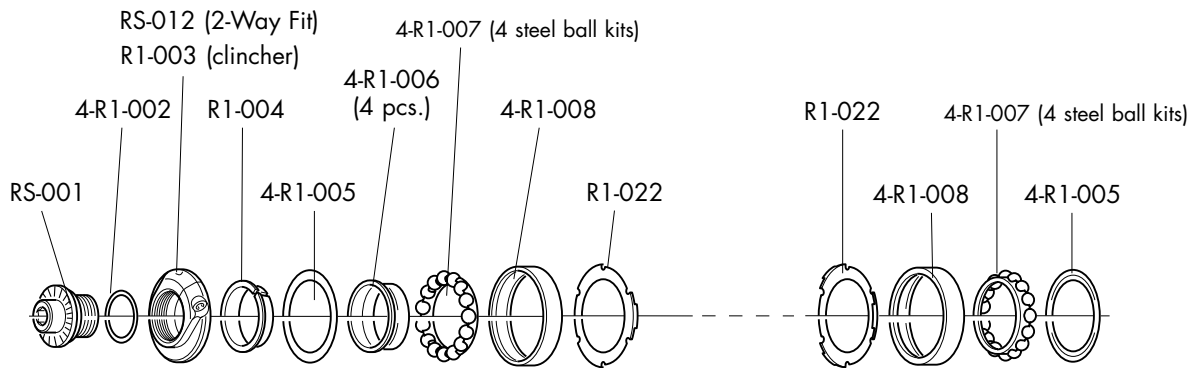
COMPLETE WHEELS	RIM (A)	SPOKE MINI-KIT
FRONT		R3-2MKB 2 x F 281,5mm 2 x R 278mm 1 x R 279mm 5 x B
R3-102FB	R3F-2RB	
REAR		
R3-102RBC R3-102RBS	R3R-2RB	

Compl. SPOKE KIT	
FRONT COMPLETE	REAR COMPLETE
R3F-2SKB 16 x F 281,5mm 16 x B	R3R-2SKB 14 x R 278mm 7 x R 279mm 21 x B



RACING 3™

FRONT HUB/MOZZO ANTERIORE/MOYEU AVANT



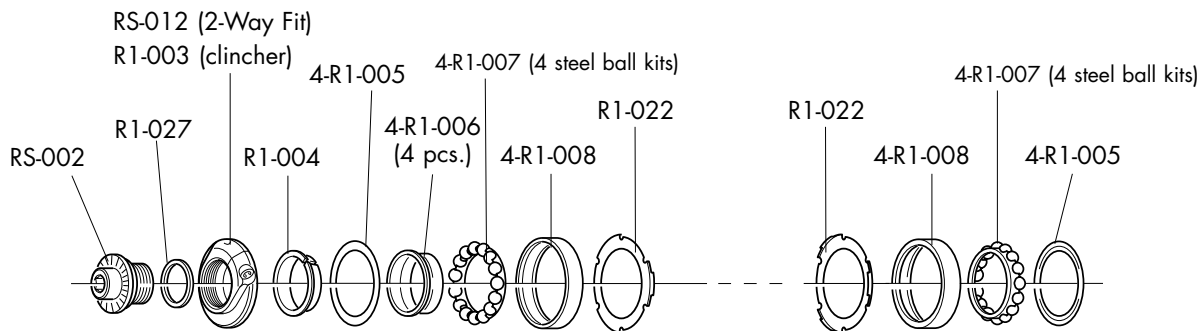
**RS-100
KIT MOZZO / HUB KIT**

- 2 x R1-005
- 2 x R1-006
- 2 x R1-008
- 2 x R1-007



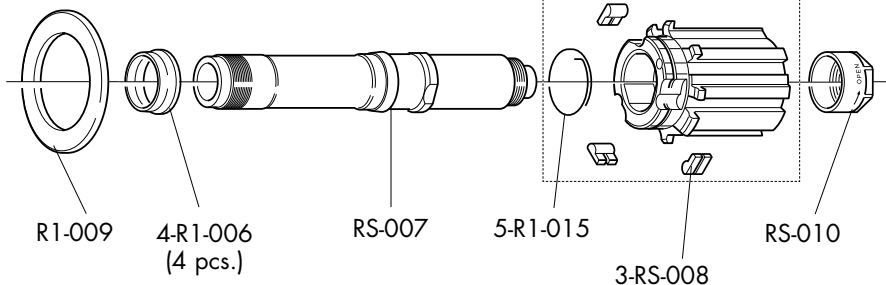
RACING 3™

REAR HUB/MOZZO POSTERIORE/MOYEU ARRIERE



RS-005 (RL tipo Campy 9-10-11 / Campy 9-10-11 type FW)

RS-013 (RL tipo HG 8-9-10 / HG 8-9-10 type FW)



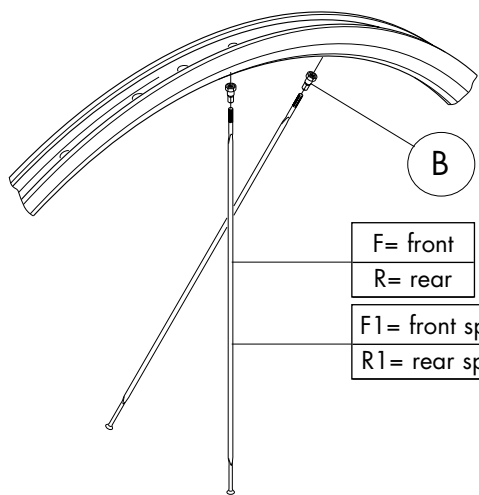
RS-100 KIT MOZZO / HUB KIT

- 2 x R1-005
- 2 x R1-006
- 2 x R1-008
- 2 x R1-007



RACING 5™ clincher

RIMS & SPOKES/CERCHI E RAGGI/JANTES ET RAYONS



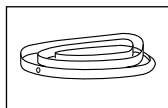
F= front
R= rear

F1= front special ø 2mm
R1= rear special ø 2mm

COMPLETE LABEL KIT (front+rear)

R5-LAB11CB

R5-LAB11CXB (CX)



RIM TAPE 16 mm:

2-R5-RT

COMPLETE WHEELS

FRONT

R5-10CFB

REAR

R5-10CRBC
R5-10CRBS

Compl. SPOKE KIT

BLACK

FRONT COMPLETE

R5F-SKB02

18 x F 282mm
2 x F1 282 mm
20 x B

REAR COMPLETE

R5R-SKB02

14 x R 281 mm
2 x R1 281 mm
8 x R 284 mm
24 x B

SPOKE MINI-KIT

R5-MKB02

2 x F 282mm
2 x R 281 mm
1 x R 284 mm
5 x B

Compl. SPOKE KIT

WHITE

FRONT COMPLETE

R5F-SKW01

18 x F 282mm
2 x F1 282 mm
20 x B

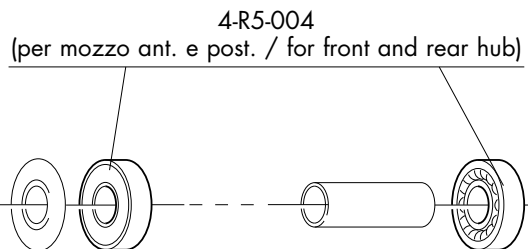
REAR COMPLETE

R5R-SKW01

14 x R 281 mm
2 x R1 281 mm
8 x R 284 mm
24 x B

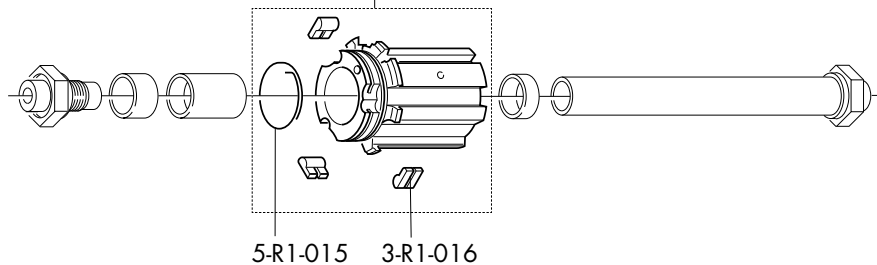
RACING 5™

HUBS/MOZZI/MOYEUX



R5-014 (RL tipo Campy 9-10-11 / Campy 9-10-11 type FW)

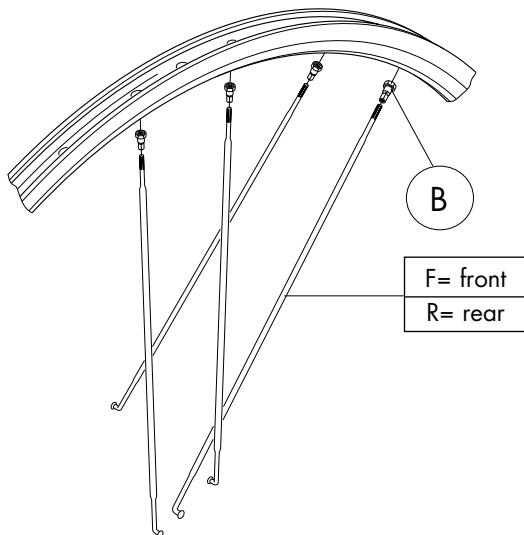
R5-020 (RL tipo HG 8-9-10 / HG 8-9-10 type FW)





RACING 7™ clincher

RIMS & SPOKES/CERCHI E RAGGI/JANTES ET RAYONS



COMPLETE WHEELS	Compl. SPOKE KIT	SPOKE MINI-KIT
FRONT		
R7-11CFB	R7F-SKB01 20 x F 278mm 20 x B	R7-MKB01 2 x F 278mm 2 x R 290mm 1 x R 277mm 5 x B
REAR		
R7-11CRBC R7-11CRBS	R7R-SKB01 16 x R 290mm 8 x R 277mm 24 x B	

COMPLETE LABEL KIT (front+rear)

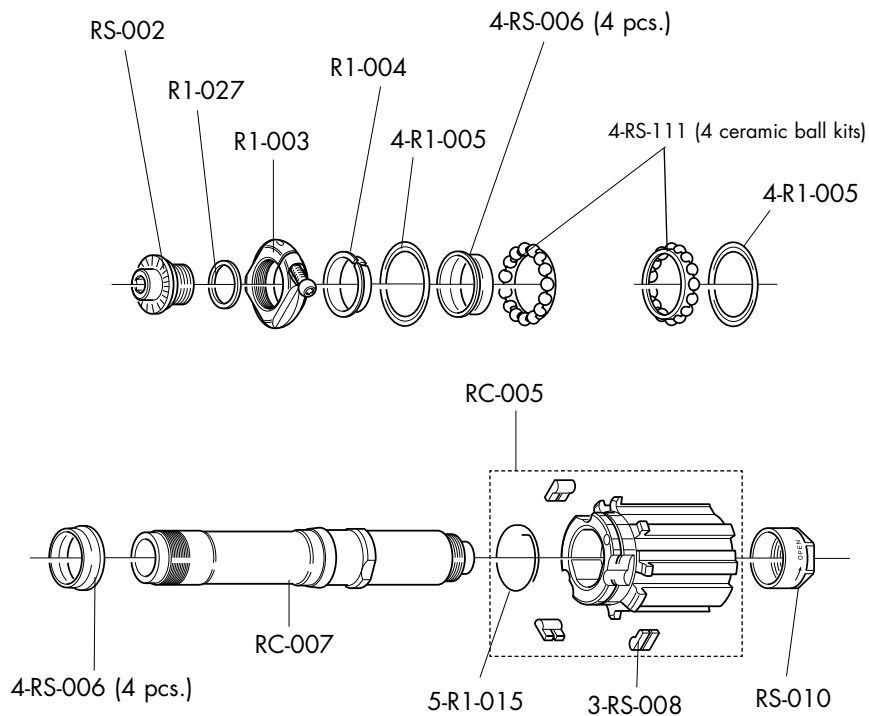
R7-LAB11CB

R7-LAB11CXB (CX)



RACING CHRONO™

REAR HUB/MOZZO POSTERIORE/MOYEU ARRIERE



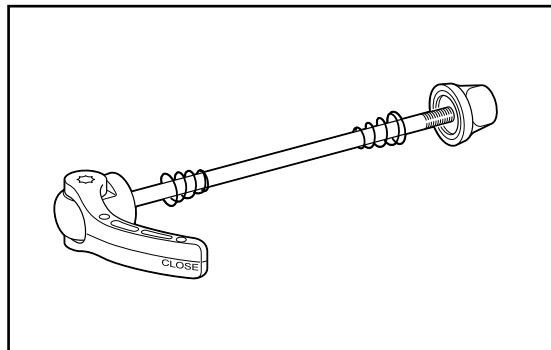


QUICK-RELEASES/BLOCCAGGI/BLOCAGES

R1-QFR

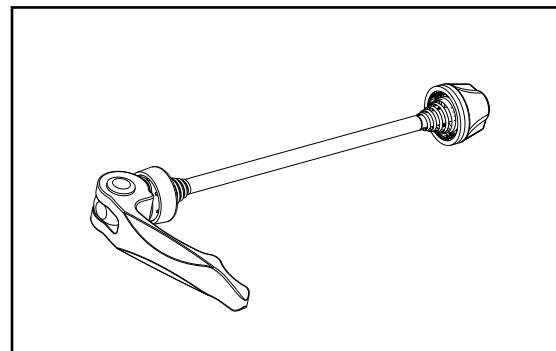
Bloccaggio anteriore + posteriore
front + rear quick release
Blocage avant + arrière

RACING ZERO / 1 / SPEED / LIGHT



R5-QFR02

Bloccaggio anteriore+posteriore RACING 5 / 7
RACING 5 / 7 front+rear quick release
Blocage avant+arrière RACING 5 / 7

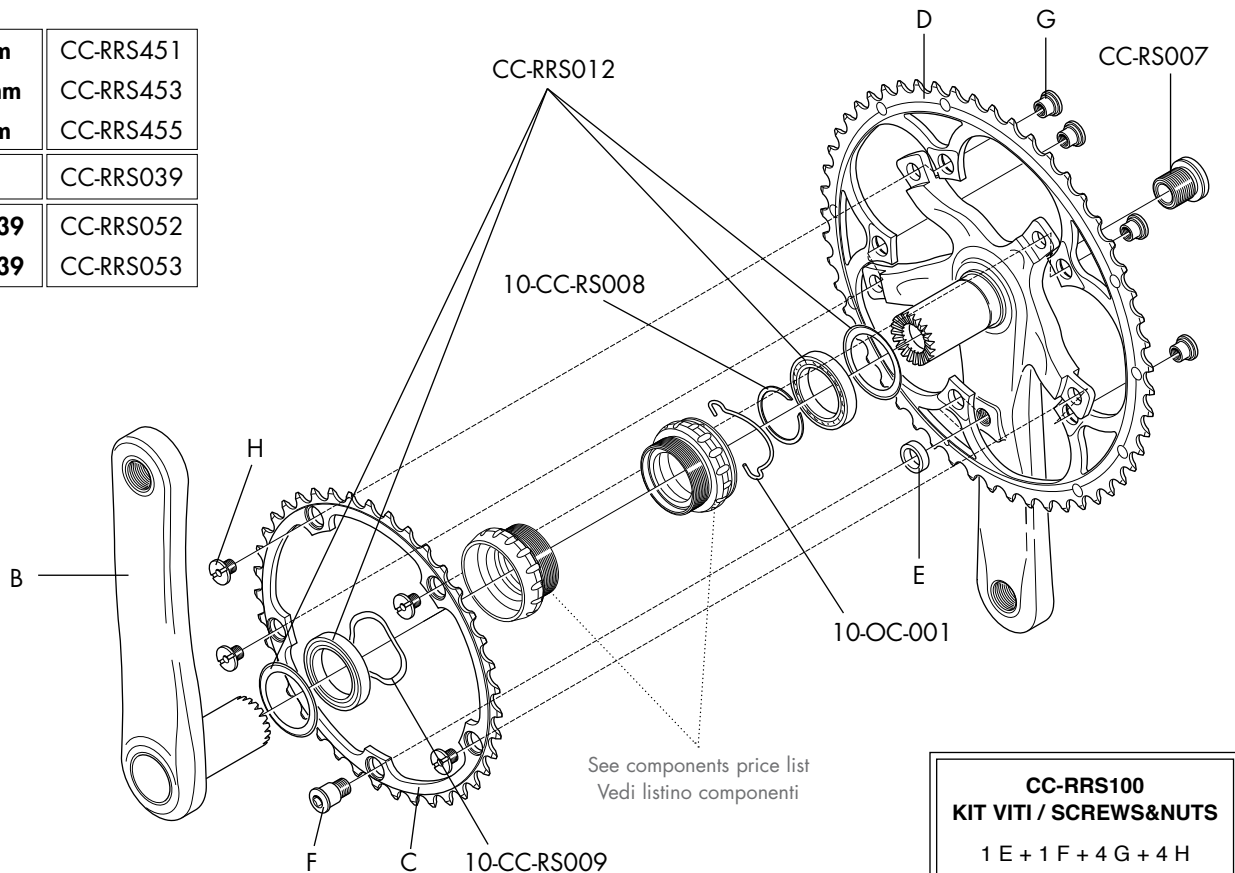




RACING TORQ™ RRS

CARBON CRANKSET

B	170 mm	CC-RRS451
	172,5 mm	CC-RRS453
	175 mm	CC-RRS455
C	Z39	CC-RRS039
D	Z52 for 39	CC-RRS052
	Z53 for 39	CC-RRS053

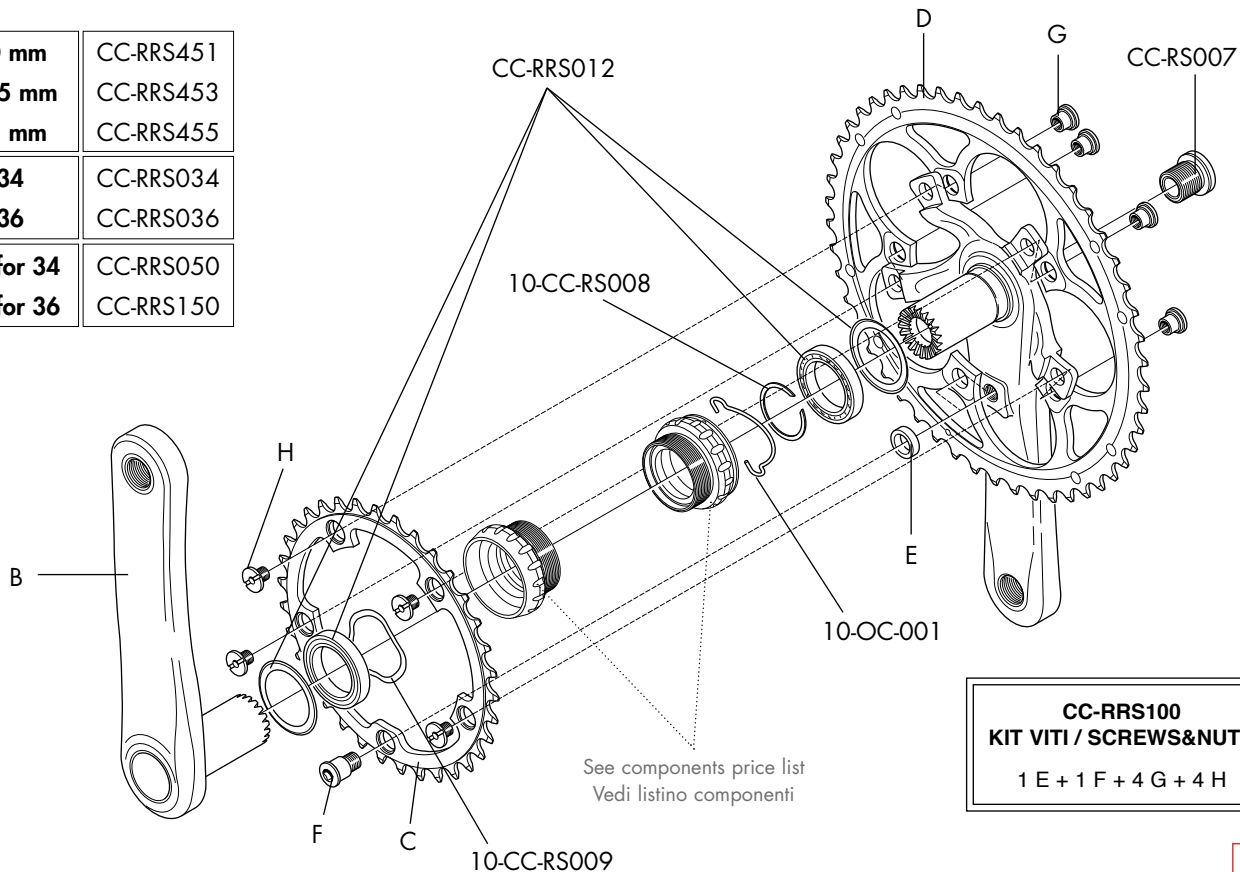




RACING TORQ™ RRS CT

CARBON CRANKSET

B	170 mm	CC-RRS451
	172,5 mm	CC-RRS453
	175 mm	CC-RRS455
C	Z34	CC-RRS034
	Z36	CC-RRS036
D	Z50 for 34	CC-RRS050
	Z50 for 36	CC-RRS150



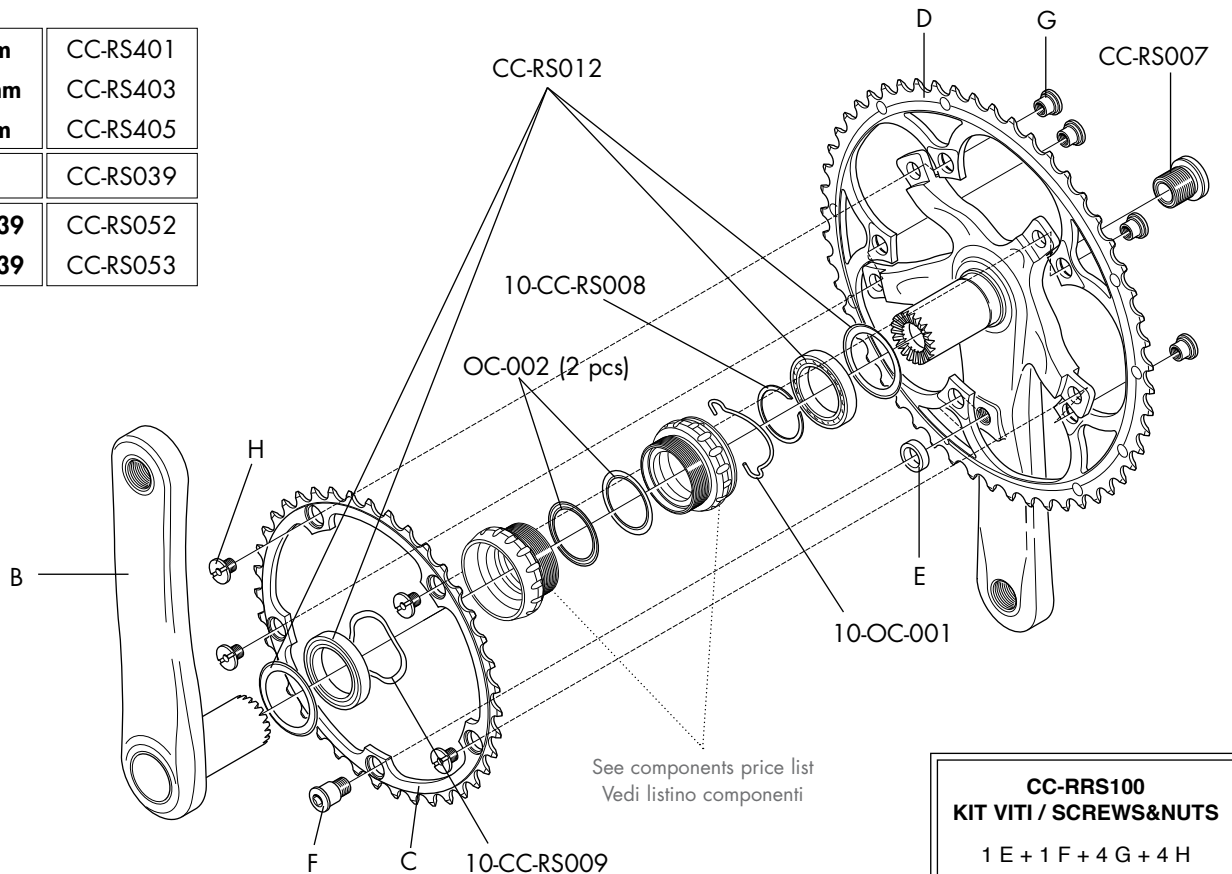
CC-RRS100
KIT VITI / SCREWS&NUTS
 1 E + 1 F + 4 G + 4 H



RACING TORQ™ RS

CARBON CRANKSET

B	170 mm	CC-RS401
	172,5 mm	CC-RS403
	175 mm	CC-RS405
C	Z39	CC-RS039
D	Z52 for 39	CC-RS052
	Z53 for 39	CC-RS053



See components price list
Vedi listino componenti

CC-RRS100
KIT VITI / SCREWS&NUTS

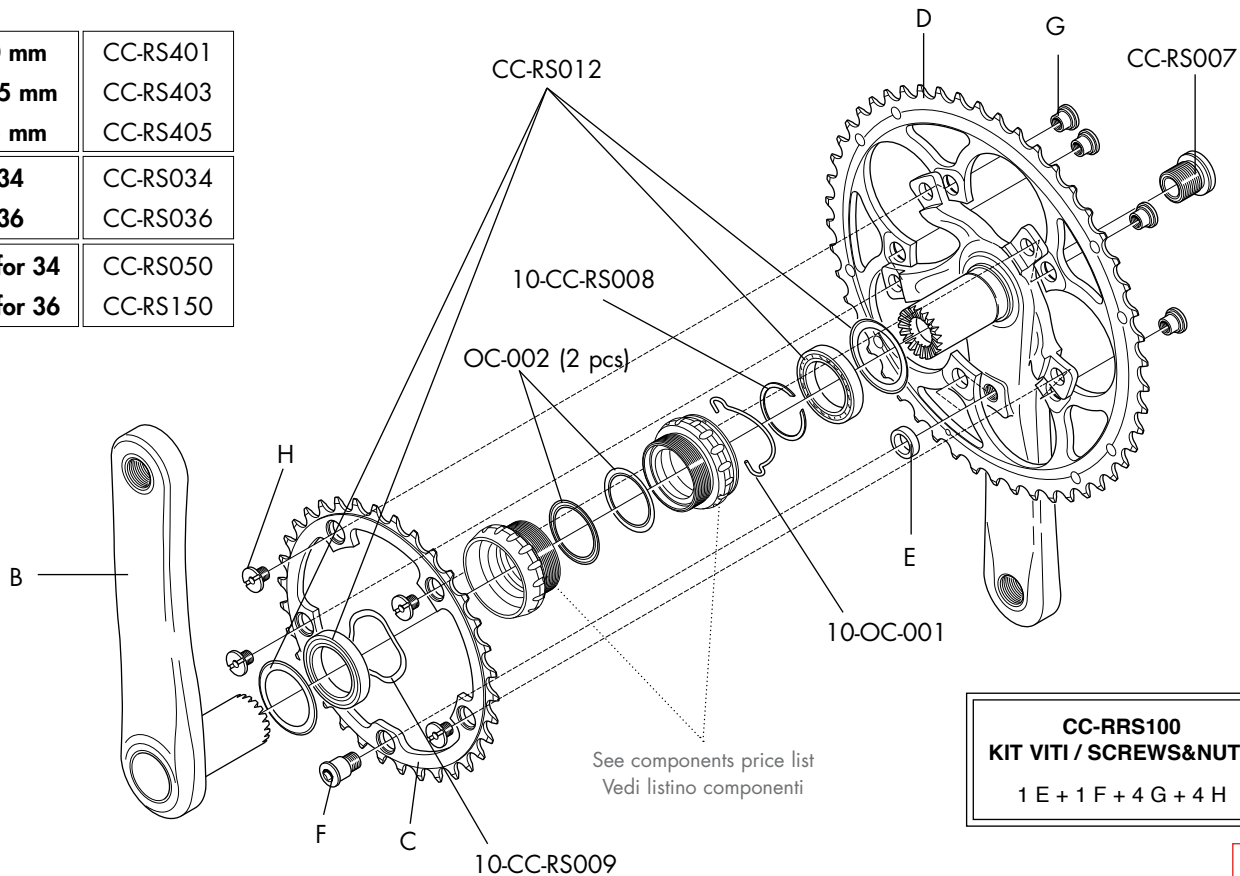
1 E + 1 F + 4 G + 4 H



RACING TORQ™ RS CT

CARBON CRANKSET

B	170 mm	CC-RS401
	172,5 mm	CC-RS403
	175 mm	CC-RS405
C	Z34	CC-RS034
	Z36	CC-RS036
D	Z50 for 34	CC-RS050
	Z50 for 36	CC-RS150

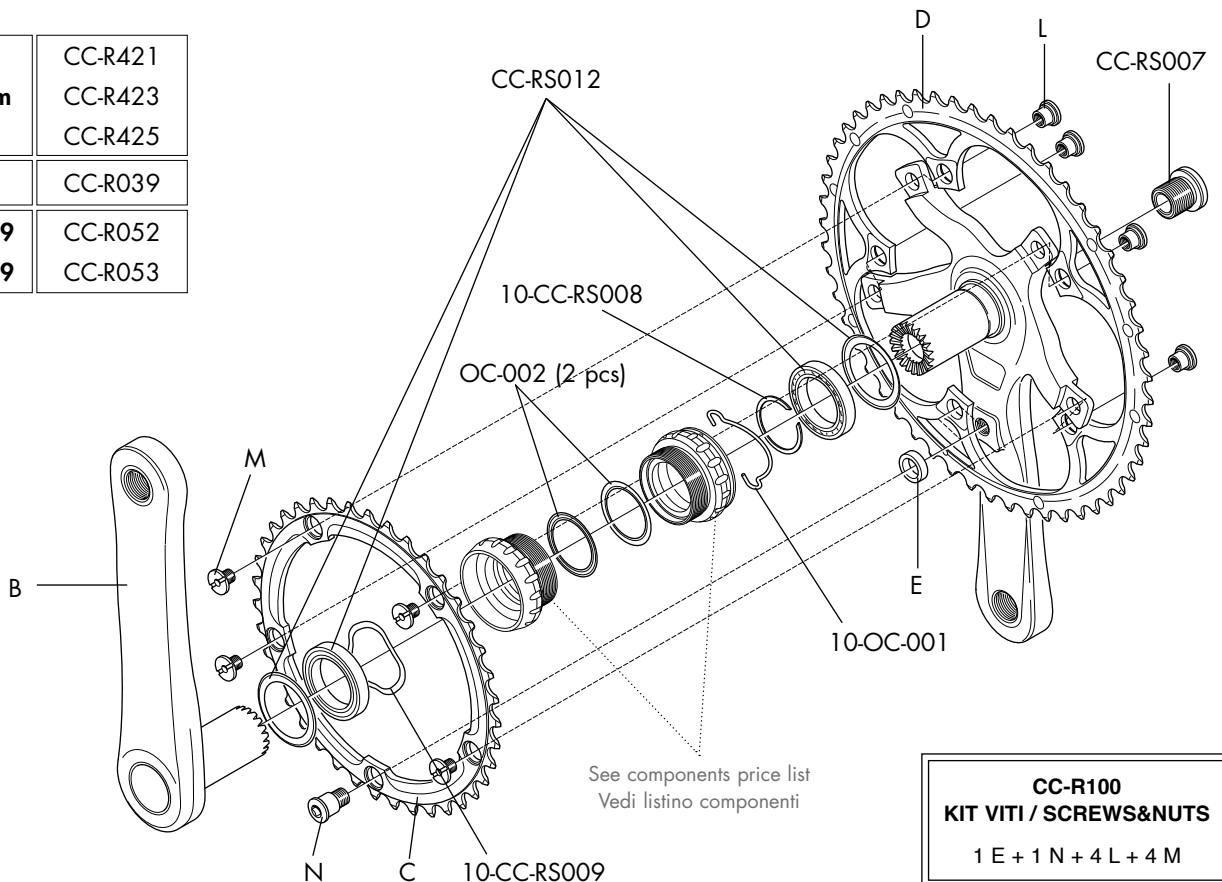




RACING TORQ™ R

CARBON CRANKSET

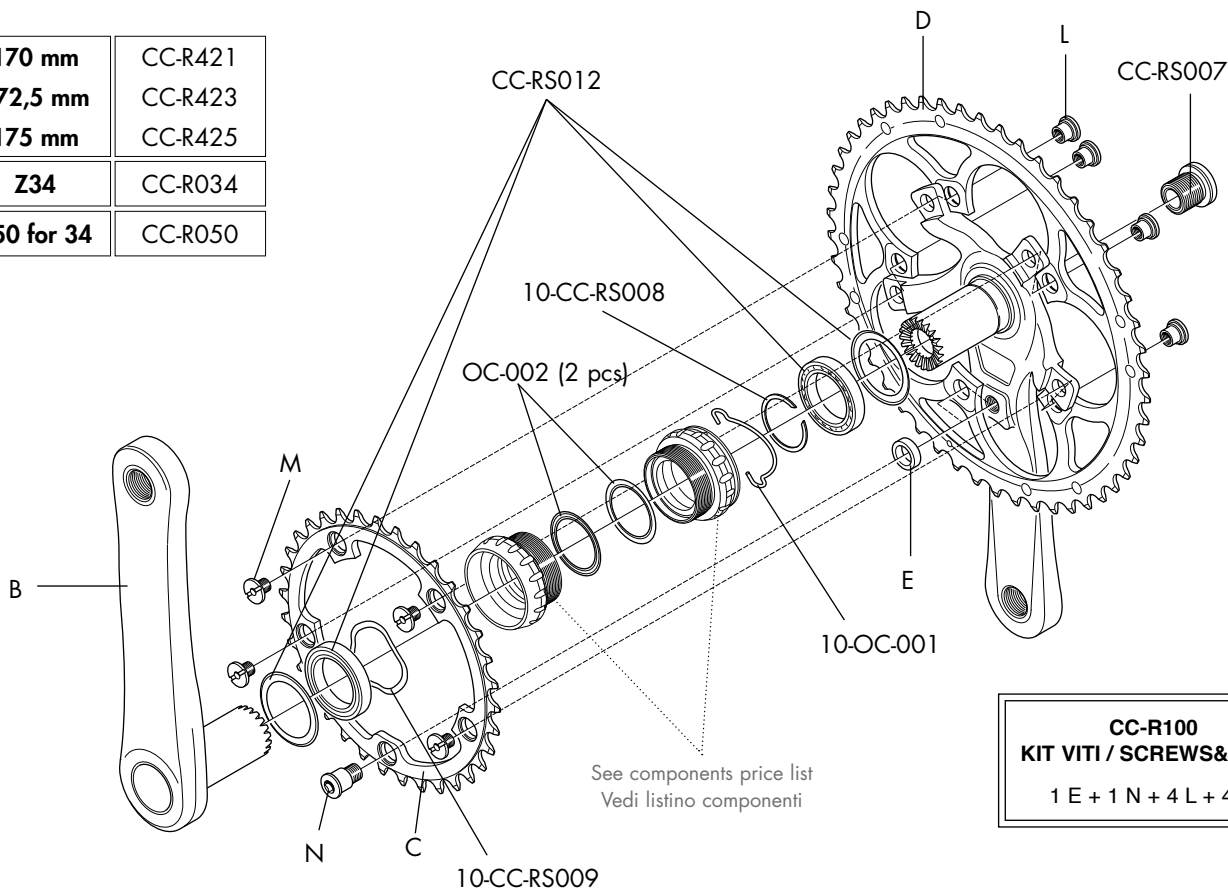
B	170 mm	CC-R421
	172,5 mm	CC-R423
	175 mm	CC-R425
C	Z39	CC-R039
D	Z52 for 39	CC-R052
	Z53 for 39	CC-R053



RACING TORQ™ R CT

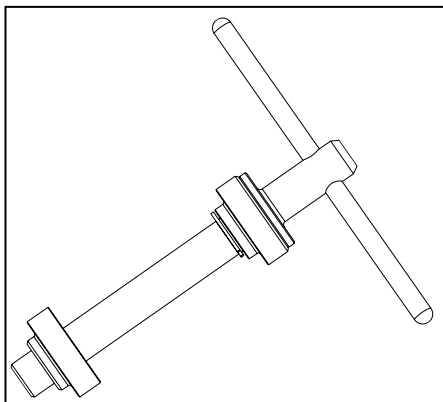
CARBON CRANKSET

B	170 mm	CC-R421
	172,5 mm	CC-R423
	175 mm	CC-R425
C	Z34	CC-R034
D	Z50 for 34	CC-R050



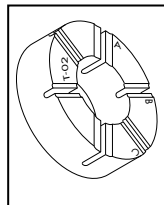


TOOLS & VARIOUS/UTENSILI e VARI/ OUTILS et DIVERSES



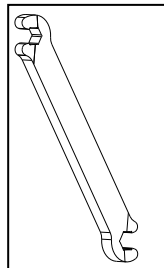
UT-BB140

Attrezzo calotte RACING TORQ™ OS-fit™
Tool for RACING TORQ™ OS-fit™ cups
Outil pour cuvettes RACING TORQ™ OS-fit™



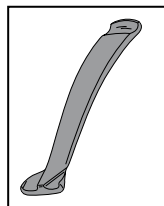
T-02

Anello anti-rotazione raggi
Spoke antirotation ring
Bague antirotation des rayons



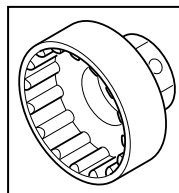
T-07

Chiave tiraggio
Spoke wrench
Clé à rayons



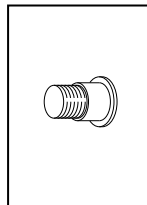
WH-109HYC (6 pcs.)

Leva in composito per rimozione copertoncino
Composite lever for removing clinchers
Démonte-pneus en composite



UT-BB130

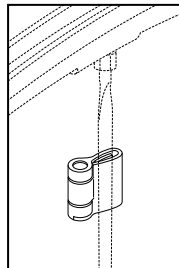
Attrezzo calotte RACING TORQ™
Tool for RACING TORQ™ cups
Outil pour cuvettes RACING TORQ™



T-03 RACING 1 / ZERO

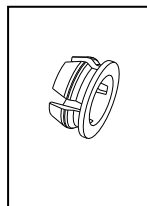
T-04 RACING 3

Inserto nipplo attira-magnete
Magnet-attracting nipple insert
Insert d'écrou pour attirer l'aimant



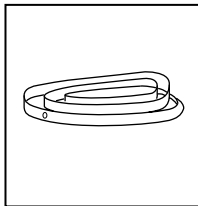
T-09

Magnete velocità
SPD magnet
Aimant vitesse



RO-014

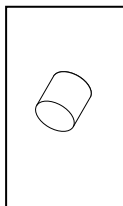
Bussola di riduzione sede valvola
Bushing to reduce valve hole
Boucle de réduction trou de valve



2-R5-RT RACING 5 / 7

2-RL-RT RACING LIGHT

Rim-tape (2 pcs.)



T-05

Magnete guida-nipplo
Nipple guide magnet
Aimant de guidage écrou



BRANCH OFFICES

HEAD OFFICE ITALY

Fulcrum Wheels Srl

Via E. Fermi, 13

36057 Arcugnano (VI)

Tel: +39 0444 289306

Fax: +39 0444 962844

info@fulcrumwheels.com

technical@fulcrumwheels.com

FRANCE

Fulcrum France

58640 Varennes Vauzelles

Tel: +33 386 903420

infos@fulcrumwheels.fr

FULCRUM CENTRAL EUROPE

Berlin Germany

Tel: +49 (163) 625 8941

info@fulcrum-ce.com

USA

Fulcrum North America

Sarasota, Florida

Tel: +1 (941) 894 7930

infos@fulcrum-na.com

TAIWAN

Primatek Ltd.

No. 26, Gongyequ 18th Rd.,
Nantun Dist., Taichung City 408,
Taiwan (R.O.C.)

Tel: +886 4 23506831

Fax: +886 4 23596764

V.A.T. 28968749

info@primatek.biz

JAPAN

Fulcrum Japan

65 Yoshida-cho, Naka-ku

231-0041 Yokohama

Tel: +81 45 264 2780

info@fulcrum-jp.com



SALES NETWORK

HEAD OFFICE ITALY

Fulcrum Wheels s.r.l.
Via Enrico Fermi 13
36057 Arcugnano
Vicenza, Italy
tel. +39-0444-289306
fax +39-0444-962844
www.fulcrumwheels.com
info@fulcrumwheels.com

AUSTRALIA

De Grandi Cycle & Sport
Geelong Victoria
Tel: +61 3 5225 3898
Fax: +61 3 5222 3850
info@degrandi.com.au



AUSTRIA

EHS - Export und Handelsges
A-4600 Wels
Tel: +43 7242 206360221
Fax: +43 7242 20636020
office@ehs.at



BELGIUM

Minerva N.V.
Koerselsesteenweg 33
3580 BERINGEN
Tel : +32 11 457670
fax : +32 11 457671
mail@minerva-nv.be



Van der Wal N.V.

Brandkensweg 92
2627 SCHELLE
Tel: +32 3 880 6391
info@van-der-wal.be



BRAZIL

Ciclo Leiriense
07041-030 Guarulhos
SÃO PAULO
Tel/Fax : (011) 6824-3333
pass@cicloleiriense.com.br



BULGARIA

Maxcom
4000 Plovdiv
Tel : +359 32 600 852
Fax : +359 32 921 921
m.bachkarov@maxcombike.com



CANADA

Cycles Lambert INC.
Levis (Quebec City)
Tel: +1 418 835 1685
Fax: +1 418 835 5322
info@cycleslambert.com



HONG KONG

Iron Ore
Tsuen Wan, NT
Tel: + 852 3576 3839
Fax: + 852 3576 3837
info@cycleslambert.com



CHINA

G.R. Bike Shanghai Trading co.
201322 Pudong New Area
Shanghai
Tel: +86 2160979971
Fax: +86 2160979970
www.grbike.com.cn
roberto.vaglio@riva.com.cn



CROATIA

Keindl Sport
10000 Zagreb
Tel . +385 1 3708323
Fax +385 1 3708324
info@keindl-sport.com



CZECH REPUBLIC & SLOVAKIA

Carosello S.R.O.
70200 Ostrava
Tel: +420 596 745 693
Fax: +420 596 745 692
maxcursor@maxcursor.cz



DENMARK

Marker Scandinavia
4320 Lejre
Tel: +45 70 228075
Fax: +45 46 498088
marker@marker-scandinavia.com



ESTONIA

Spordipartner
12617 Tallin
Tel. +372 5202508
rattapood@gmail.com



FRANCE

Fulcrum France EURL
58640 Varennes Vauzelles
Tel : +33 386 903420
infos@fulcrumwheels.fr



GERMANY

Hermann Hartje KG
27318 Hoya / Weser
Tel: +49 425 18110
hartmut.wiechmann@hartje.de



Ra-co GmbH

99198 Kerspleben
Tel: +49 36203 61445
Fax: +49 36203 50227



JBS Radsport Großhandel E.H.

52249 Eschweiler
Tel: +49 2403 78360
Fax: +49 2403 783679
kontakt@jbs-trading.de





SALES NETWORK

ITALY

Fulcrum Wheels Srl

Arcugnano, Vicenza
Tel: +39 0444 289306
Fax: +39 0444 280749
info@fulcrumwheels.com
technical@fulcrumwheels.com



Puppi Paolo

Nord Est
Tel: +39 335 800 7217
paolo.puppi@gmail.com



Delle Cave Emilio

Nord Ovest
Tel: +39 335 611 6754
edellecave@fastwebnet.it



Masini Gabriele

Centro Italia
Tel: +39 335 7736984
gabmasini@gmail.com



JAPAN

Kawashima Cycle Supply Co.

Osaka, 590-0007
Tel: +81 722 381557
Fax: +81 722 386213
info@riogrande.co.jp



Nichinao Shokai Co. LTD

101 Tokyo
Tel: +81 3 3832 6251
Fax: +81 3 3832 6266
info@nichinao.co.jp



KOREA

Very Good Leisure (Cellosports)

Nonhyun-dong, Gangnam-gu Seoul
Tel: +82 2 3014 4075
Fax: +82 2 3448 5482
choj21@cellosports.com



NETHERLANDS

ABC - Advanced Bicycle Components B.V.

4533 RC Terneuzen
Netherlands
Tel : +31 115 610308
Fax: +31 115 649904
hremijnsen@zeelandnet.nl



AGU

1812 RK Alkmaar
Tel : +31 72 5411511
fax : +31 72 5411528
info@agu.nl



Intersense B.V.

7602 KF Almelo
Tel : +31 546571194
Fax: +31 546671385
pieter@targetbikes.nl



NEW ZEALAND

W.H. Worrall & Co. Ltd.

Auckland
Tel: +64 9 6360641
Fax: +649 6360631
david@worrall.co.nz



NORWAY

Racing Depot A/B (DBS)

4300 Sandnes
Tel: +47 51 68 62 70
Fax: +47 51 68 62 62
racingdepot@racingdepot.no



PORTUGAL

Vieira Graça & Ca. Lda

Zona Industrial de Alferrarede
2200-293 Abrantes
Tel: +351 241 371 766 (8)
Fax: +351 241 377 415
vieira.graca.jb@gmail.com



RUSSIA

Velosport

115582 Moscow
Tel: +7 (495) 223-43-28
Fax: +7 (495) 223-44-28
sale@velosport.ru
www.velosport.ru



SINGAPORE

Trimen Ventures PTE. LTD.

658064 Wcega Plaza
Singapore
Tel: +65-67476448
Fax: +65-67476447
bryan.chew@pacific.net.sg



SLOVENIJA

Maxisport D.O.C.

1000 Ljubljana
Tel.+386 1 547 65 00
Fax.+386 1 547 65 68
trgovina@maxisport.si



SOUTH AFRICA

Cycling J&J (Pty) Ltd

Pretoria
Tel: +27 12 807 5570
Fax: +27 12 807 4267
info@jjcycling.co.za





SALES NETWORK

SPAIN

Casa Masferrer S.A.

08400 Granollers-Barcellona
Tel: +34 93 84634 44
Fax: +34 93 84653 55
cmventas@casamasferrer.com



SWITZERLAND

Good Price GPR AG

CH 8610 – Uster
Tel + 41 449449393
Fax + 41 449449394
info@gprag.ch



SWEDEN

Monark Exercise AB

SE - 780 50 Vansbro
Tel: +46 281 594947
Fax: +46 281 71981
info@monarkexercise.se



THAILAND

Piriya International Co., Ltd

Bangkok
Tel: +662 51 501 7980
Fax: +662 51 501 02
noppadon@piriya-international.com



TAIWAN

Colmax International Ltd

717 Tainan City
Tel: +886 6 2055300
Fax: +886 6 2053672
colmax@colmax.com.tw



UNITED KINGDOM

Jim Walker & Co.Ltd

BN27 3JU East Sussex
Tel: +44 870 7528777
Fax: +44 1323 845849
info@jimwalker.co.uk



USA

Quality Bicycle Products, Inc.

55438-2554 Bloomington, MN
Tel: +1 952 941 9391
Fax: +1 952 656 5252
info@qbp.com



Security Bicycle Accessories

Hempstead, NY 11550
Tel: +1 516 4856100
Fax: +1 516 4856117
sales@securitybicycle.com



Sinclair Imports

89439 Verdi, NV
Tel: +1 800 654 8052
Fax: +1 775 345 6013
ldonnell@sinclairimports.com



BTI

Santa Fe, NM 87507
Tel: +1 505 473 1010
Fax: +1 505 473 0011
info@bti-usa.com



KHS Bicycles Inc.

Rancho Dominguez, CA 90221
Tel: +1 310 632 7173
Fax: +1 800 720 4547
info@khsbicycles.com





SERVICE CENTERS

AUSTRALIA

De Grandi Cycle & Sport

Geelong Victoria

Tel: +61 3 5225 3898

Fax: +61 3 5222 3850

info@degrandi.com.au

AUSTRIA

EHS Export und Handelsges

A-4600 Wels

Tel: +43 7242 206360221

Fax: +43 7242 20636020

office@ehs.at

BENELUX

ABC - Advanced Bicycle

Components B.V.

Watermunt, 7

4533 RC Terneuzen

Netherlands

Tel : +31 115 610308

Fax: +31 115 649904

hremijnsen@zeelandnet.nl

CANADA

Cycles Lambert INC

Levis (Quebec City)

Tel: +1 418 835 1685

Fax: +1 418 835 5322

info@cycleslambert.com

CZECH REPUBLIC & SLOVAKIA

Carosello S.R.O.

70200 Ostrava

Tel: +420 596 745 693

Fax: +420 596 745 692

maxcursor@maxcursor.cz

DENMARK

Marker Scandinavia

4320 Lejre

Tel: +45 70 228075

Fax: +45 46 498088

marker@marker-scandinavia.com

FRANCE

Fulcrum France EURL

58640 Varennes Vouzelles

Tel : +33 386 903420

infos@fulcrumwheels.fr

GERMANY

Fulcrum Service Center

Deutschland

Alte Garten 62

51371 Leverkusen, Germany

Tel: +49 214 3112669

Fax: +49 214 3112668

service@fulcrumwheels.de

ITALY

Fulcrum Wheels Srl

Arcugnano, Vicenza

Tel: +39 0444 289306

Fax: +39 0444 962844

service-center@fulcrumwheels.com

JAPAN

Fulcrum Japan Service Center

Yokohama

TEL +81 45 342 8230

FAX +81 45 241 8035

KOREA

Very Good Leisure

(Cellosports)

Nonhyun-dong, Gangnam-gu Seoul

Tel: +82 2 3014 4075

Fax: +82 2 3448 5482

choj21@cellosports.com

NEW ZEALAND

W.H. Worrall & Co. Ltd.

Auckland

Tel: +64 9 6360641

Fax: +64 9 6360631

david@worrall.co.nz



SERVICE CENTERS

PORTUGAL

Vieira Graça & Ca. Lda

Zona Industrial de Alferrarede
2200-293 Abrantes
Tel: +351 241 371 766 (8)
Fax: +351 241 377 415
vieira.graca.jb@gmail.com

SINGAPORE

Trimen Ventures PTE. LTD.

658064 WCEGA Plaza
Singapore
Tel: +65 67476448
Fax: +65 67476447
bryan.chew@pacific.net.sg

SOUTH AFRICA

Cycling J&J (Pty) Ltd

169 Meerlust Street
Willow Glen
Pretoria
Tel: +27 12 807 5570
Fax: +27 12 807 4267
info@jjcycling.co.za

SPAIN

Casa Masferrer S.A.

08400 Granollers - Barcellona
Tel: +34 93 8463444
Fax: +34 93 8465355
cmventas@casamasferrer.com

SWITZERLAND

Good Price GPR AG

CH 8610 – Uster
Tel + 41 449449393
Fax + 41 449449394
info@gprag.ch

TAIWAN

Colmax International Ltd

717 Tainan
Tel: +886 6 2055300
Fax: +886 6 2053672
sales@colmax.com.tw

UNITED KINGDOM

Jim Walker & Co.Ltd

13 Apex Park
Hailsham
BN27 3JU East Sussex
Tel: +44 870 7528777
Fax: +44 1323 845849
info@jimwalker.co.uk

USA

Fulcrum North America

Carlsbad, CA
Tel. +1 760 931 0106
Fax. +1 760 931 0991
Email: info@fulcrumna.com

Quality Bicycle Products INC

55438-2554 Bloomington MN
Tel: +1 952 941 9391
Fax: +1 952 656 5252
info@qbp.com

BTI

Santa Fe NM 87507
Tel: +1 505 473 1010
Fax: +1 505 473 0011
info@bti-usa.c



NOTES