



FULCRUM

2015 OFF-ROAD
SPARE PARTS CATALOGUE

2015 Spare Parts & Tools

OFF-ROAD WHEELS

RED PASSION	76
RED METAL ZERO™ XRP	84
RED METAL™ 3	79
RED METAL™ XRP 650B	94
RED METAL™ 29 XRP	101
RED POWER™ XL	108
RED POWER™ HP	116
RED POWER™	124

ADAPTERS

132

TOOLS

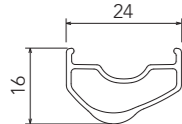
138

RED PASSION 27.5

6 BOLTS
front: QR / 15mm ta
rear: QR / 12 mm ta

RIMS & SPOKES/CERCHI E RAGGI

RIM

	<p>FRONT RIM REAR RIM VALVE HOLE RIM SPARES KIT DIAMETER</p>	<p>RN7F-DR (with labels) RN7R-DR (with labels) 6,5 mm RN9-014 (valve+tool, valve adapter, tubeless tape) 27.5 Tubeless ready</p>
---	--	--

SPOKES

<p>SPOKES Front RH SPOKES Front LH SPOKES Rear NIPPLES TOOL TOOL TOOL TOOL</p>	<p>RN7F-DSR RN7F-DSL RN7R-DS RN9-B T-11 T-05 T-24 T-25</p>	<p>8 spokes + 8 nipples 8 spokes + 8 nipples 8 spokes + 8 nipples 50 pcs. magnet-attractor insert for nipple nipple magnet spoke spanner spoke anti-rotation</p>
--	--	--

ACCESSORIES

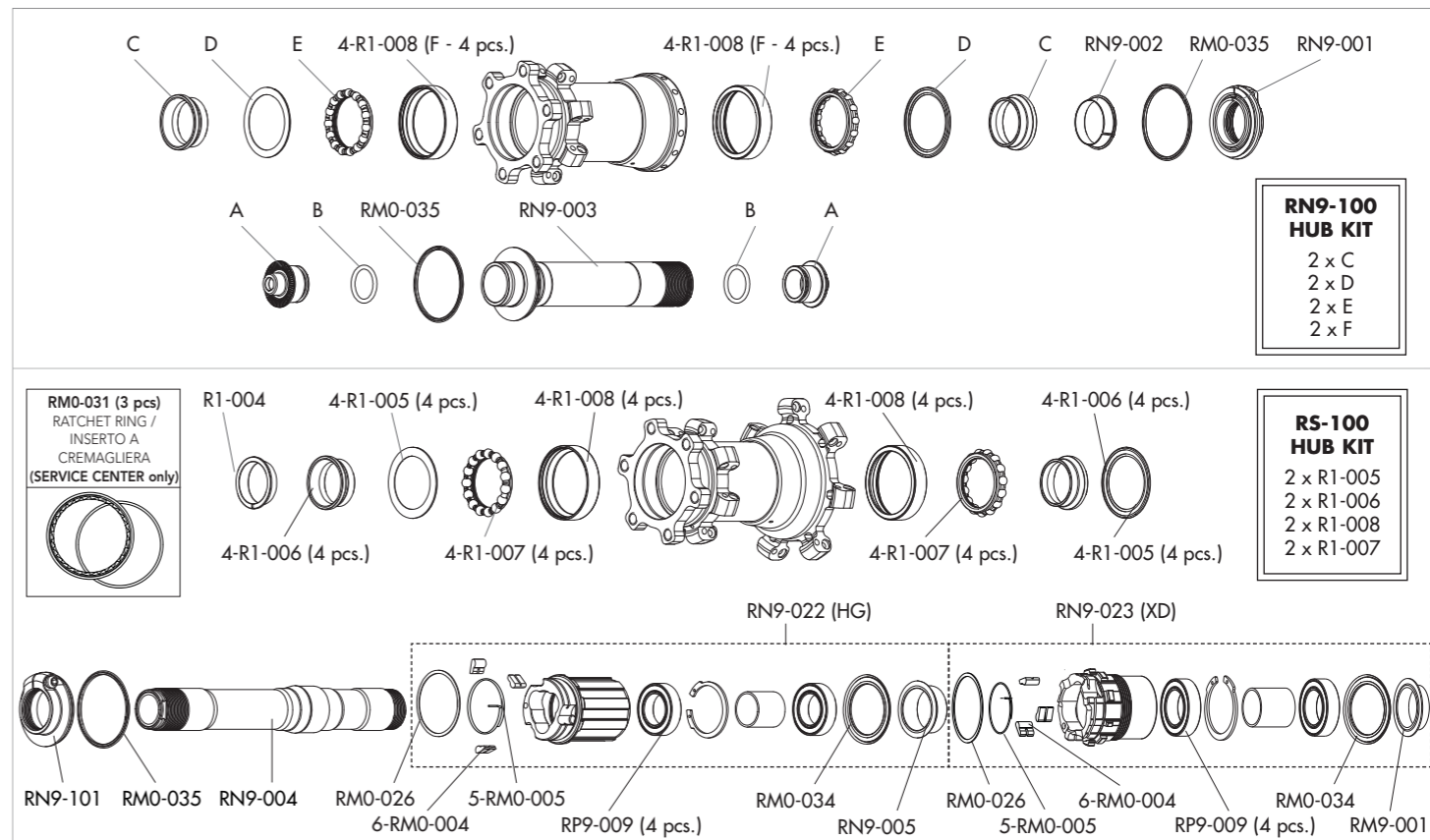
KIT QR	RM11-TAQR	for front wheel - from 15mm thru axle to QR (2A + 2B)
KIT 15 thru-axle	KITFCFA15	for front wheel - from QR to 15mm thru axle

REAR WHEELS ADAPTERS KIT ON PAGE 134

RED PASSION 27.5

6 BOLTS
front: QR / 15mm ta
rear: QR / 12 mm ta

HUBS/MOZZI



RN9-100 HUB KIT

2 x C
2 x D
2 x E
2 x F

RS-100 HUB KIT

2 x R1-005
2 x R1-006
2 x R1-008
2 x R1-007

RED PASSION 27.5

AFS
front: QR / 15mm ta
rear: QR / 12 mm ta

RIMS & SPOKES/CERCHI E RAGGI

RIM

	FRONT RIM	RN7F-DR (with labels)
	REAR RIM	RN7R-DR (with labels)
	VALVE HOLE	6,5 mm
	RIM SPARES KIT	RN9-014 (valve+tool, valve adapter, tubeless tape)
	DIAMETER	27.5 Tubeless ready

SPOKES

SPOKES Front RH	RN7F-DSR	8 spokes + 8 nipples
SPOKES Front LH	RN7F-DSL	8 spokes + 8 nipples
SPOKES Rear	RN7R-DS	8 spokes + 8 nipples
NIPPLES	RN9-B	50 pcs.
TOOL	T-11	magnet-attractor insert for nipple
TOOL	T-05	nipple magnet
TOOL	T-24	spoke spanner
TOOL	T-25	spoke anti-rotation

ACCESSORIES

AFS LOCKRING	4-M1-101	to fix the brake disc
AFS LOCKRING TOOL	UT-BB130	
KIT QR	RM11-TAQR	for front wheel - from 15mm thru axle to QR (2A + 2B)
KIT 15 thru-axle	KITCFA15	for front wheel - from QR to 15mm thru axle

REAR WHEELS ADAPTERS KIT ON PAGE 134

RED PASSION 27.5

AFS
front: QR / 15mm ta
rear: QR / 12 mm ta

HUBS/MOZZI

RN9-100 HUB KIT

- 2 x C
- 2 x D
- 2 x E
- 2 x F

RS-100 HUB KIT

- 2 x R1-005
- 2 x R1-006
- 2 x R1-008
- 2 x R1-007

Labels in diagram: C, D, E, 4-R1-008 (F - 4 pcs.), 4-R1-008 (F - 4 pcs.), E, D, C, RN9-002, RM0-035, RN9-001, A, B, RM0-035, RN9-003, B, A, RM0-031 (3 pcs) RATCHET RING / INSERTO A CREMAGLIERA (SERVICE CENTER only), R1-004, 4-R1-005 (4 pcs.), 4-R1-008 (4 pcs.), 4-R1-008 (4 pcs.), 4-R1-006 (4 pcs.), 4-R1-006 (4 pcs.), 4-R1-007 (4 pcs.), 4-R1-007 (4 pcs.), 4-R1-005 (4 pcs.), RN9-022 (HG), RN9-023 (XD), RN9-101, RM0-035, RN9-004, RM0-026, 5-RM0-005, 6-RM0-004, RP9-009 (4 pcs.), RM0-034, RM0-026, 6-RM0-004, RP9-009 (4 pcs.), RM0-034, RM9-001, 6-RM0-004, RP9-009 (4 pcs.), RM9-001.

RED PASSION 29

6 BOLTS
front: QR/15mm ta
rear: QR /12 mm ta

RIMS & SPOKES/CERCHI E RAGGI

RIM

	FRONT RIM	RN9F-DR (with labels)
	REAR RIM	RN9R-DR (with labels)
	VALVE HOLE	6,5 mm
	RIM SPARES KIT	RN9-014 (valve+tool, valve adapter, tubeless tape)
	DIAMETER	29 Tubeless ready

SPOKES

SPOKES Front RH	RN9F-DSR	8 spokes + 8 nipples
SPOKES Front LH	RN9F-DSL	8 spokes + 8 nipples
SPOKES Rear	RN9R-DS	8 spokes + 8 nipples
NIPPLES	RN9-B	50 pcs.
TOOL	T-11	magnet-attractor insert for nipple
TOOL	T-05	nipple magnet
TOOL	T-24	spoke spanner
TOOL	T-25	spoke anti-rotation

ACCESSORIES

KIT QR	RM11-TAQR	for front wheel - from 15mm thru axle to QR (2A + 2B)
KIT 15 thru-axle	KITFCFA15	for front wheel - from QR to 15mm thru axle

REAR WHEELS ADAPTERS KIT ON PAGE 134

RED PASSION 29

6 BOLTS
front: QR / 15mm ta
rear: QR / 12 mm ta

HUBS/MOZZI

RN9-100 HUB KIT
2 x C
2 x D
2 x E
2 x F

RS-100 HUB KIT
2 x R1-005
2 x R1-006
2 x R1-008
2 x R1-007

RM0-031 (3 pcs) RATCHET RING / INSERTO A CREMAGLIERA (SERVICE CENTER only)

Labels in diagram: C, D, E, 4-R1-008 (F - 4 pcs.), 4-R1-008 (F - 4 pcs.), E, D, C, RN9-002, RM0-035, RN9-001, A, B, RM0-035, RN9-003, B, A, R1-004, 4-R1-005 (4 pcs.), 4-R1-008 (4 pcs.), 4-R1-008 (4 pcs.), 4-R1-006 (4 pcs.), 4-R1-006 (4 pcs.), 4-R1-007 (4 pcs.), 4-R1-007 (4 pcs.), 4-R1-005 (4 pcs.), RN9-022 (HG), RN9-023 (XD), RN9-101, RM0-035, RN9-004, RM0-026, 5-RM0-005, 6-RM0-004, RP9-009 (4 pcs.), RM0-034, RN9-005, 5-RM0-005, 6-RM0-004, RP9-009 (4 pcs.), RM0-034, RN9-001.

RED PASSION 29

AFS
front: QR / 15mm ta
rear: QR / 12 mm ta

RIMS & SPOKES/CERCHI E RAGGI

RIM

	FRONT RIM	RN7F-DR (with labels)
	REAR RIM	RN7R-DR (with labels)
	VALVE HOLE	6,5 mm
	RIM SPARES KIT	RN9-014 (valve+tool, valve adapter, tubeless tape)
	DIAMETER	29 Tubeless ready

SPOKES

SPOKES Front RH	RN9F-DSR	8 spokes + 8 nipples
SPOKES Front LH	RN9F-DSL	8 spokes + 8 nipples
SPOKES Rear	RN9R-DS	8 spokes + 8 nipples
NIPPLES	RN9-B	50 pcs.
TOOL	T-11	magnet-attractor insert for nipple
TOOL	T-05	nipple magnet
TOOL	T-24	spoke spanner
TOOL	T-25	spoke anti-rotation

ACCESSORIES

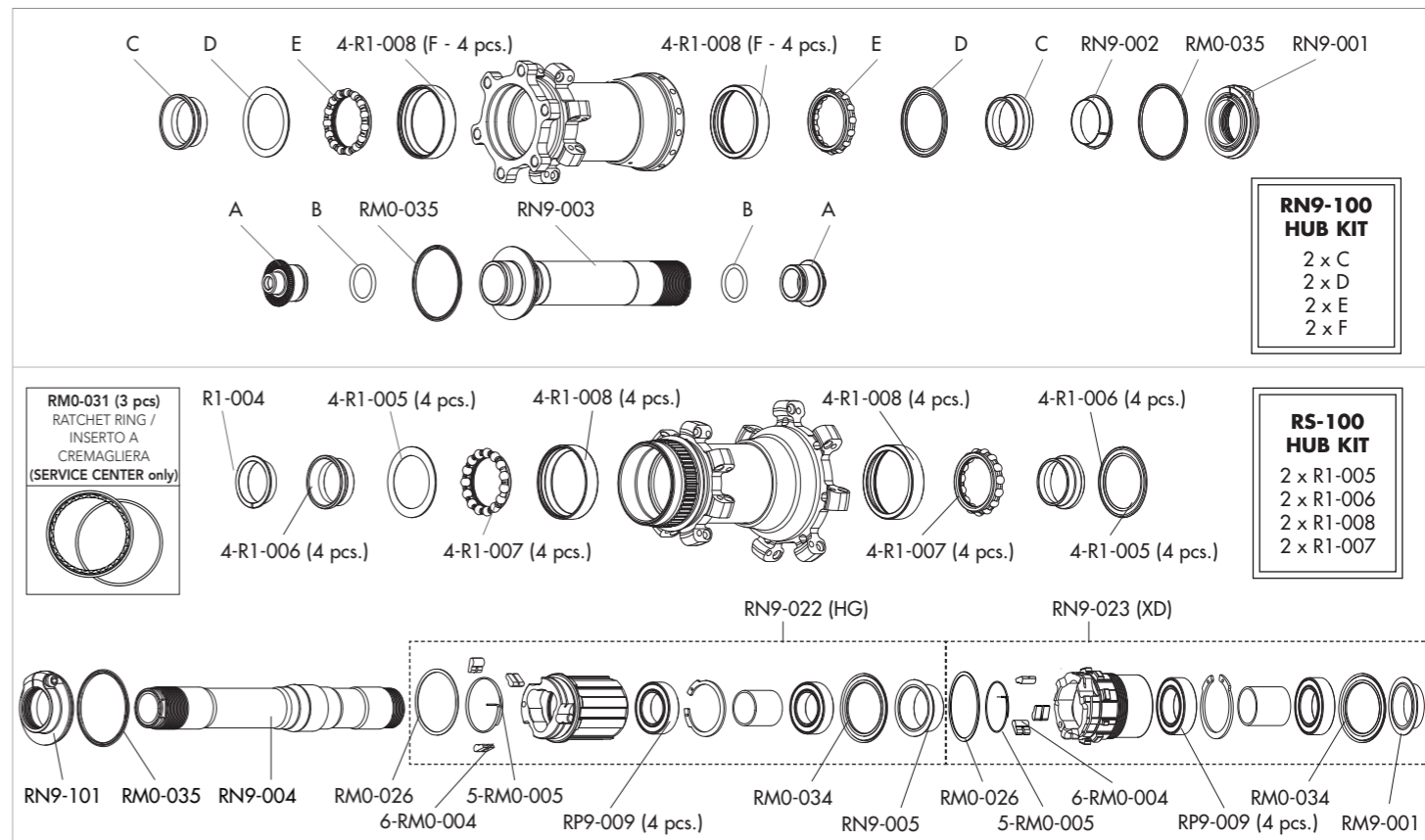
AFS LOCKRING	4-M1-101	to fix the brake disc
AFS LOCKRING TOOL	UT-BB130	
KIT QR	RM11-TAQR	for front wheel - from 15mm thru axle to QR (2A + 2B)
KIT 15 thru-axle	KITCFA15	for front wheel - from QR to 15mm thru axle

REAR WHEELS ADAPTERS KIT ON PAGE 134

RED PASSION 29

AFS
front: QR / 15mm ta
rear: QR / 12 mm ta

HUBS/MOZZI

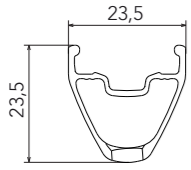


RED METAL ZERO XRP

6 BOLTS
front: QR/15 ta
rear: QR

RIMS & SPOKES/CERCHI E RAGGI

RIM

	<p>FRONT RIM REAR RIM LABEL KIT VALVE HOLE VALVE DIAMETER</p>	<p>RM0F-DRB01 (black - with labels) RMOR-DRB (black - with labels) RM0-LAB11DB (black - FRONT+REAR) 6,5 mm M1-102 26 Tubeless</p>
---	---	---

SPOKES

<p>COMPLETE FRONT KIT COMPLETE REAR KIT COMPLETE SPOKE Front RH COMPLETE SPOKE Front LH COMPLETE SPOKE Rear RH COMPLETE SPOKE Rear LH NIPPLES TOOL TOOL TOOL TOOL</p>	<p>RM0F-DSK01 RMOR-DSK01 RM0F-DSR01 RM0F-DSL01 RMOR-DSR01 RMOR-DSL01 RM0-B T-02 T-03 T-05 T-07</p>	<p>14 spokes front RH + 7 spokes front LH + 21 nipples 8 spokes rear LH + 16 spokes rear RH + 24 nipples spoke + nipple spoke + nipple spoke + nipple spoke + nipple 10 pcs. spoke anti-rotation magnet-attractor insert for nipple nipple-guide magnet spoke spanner</p>
---	--	---

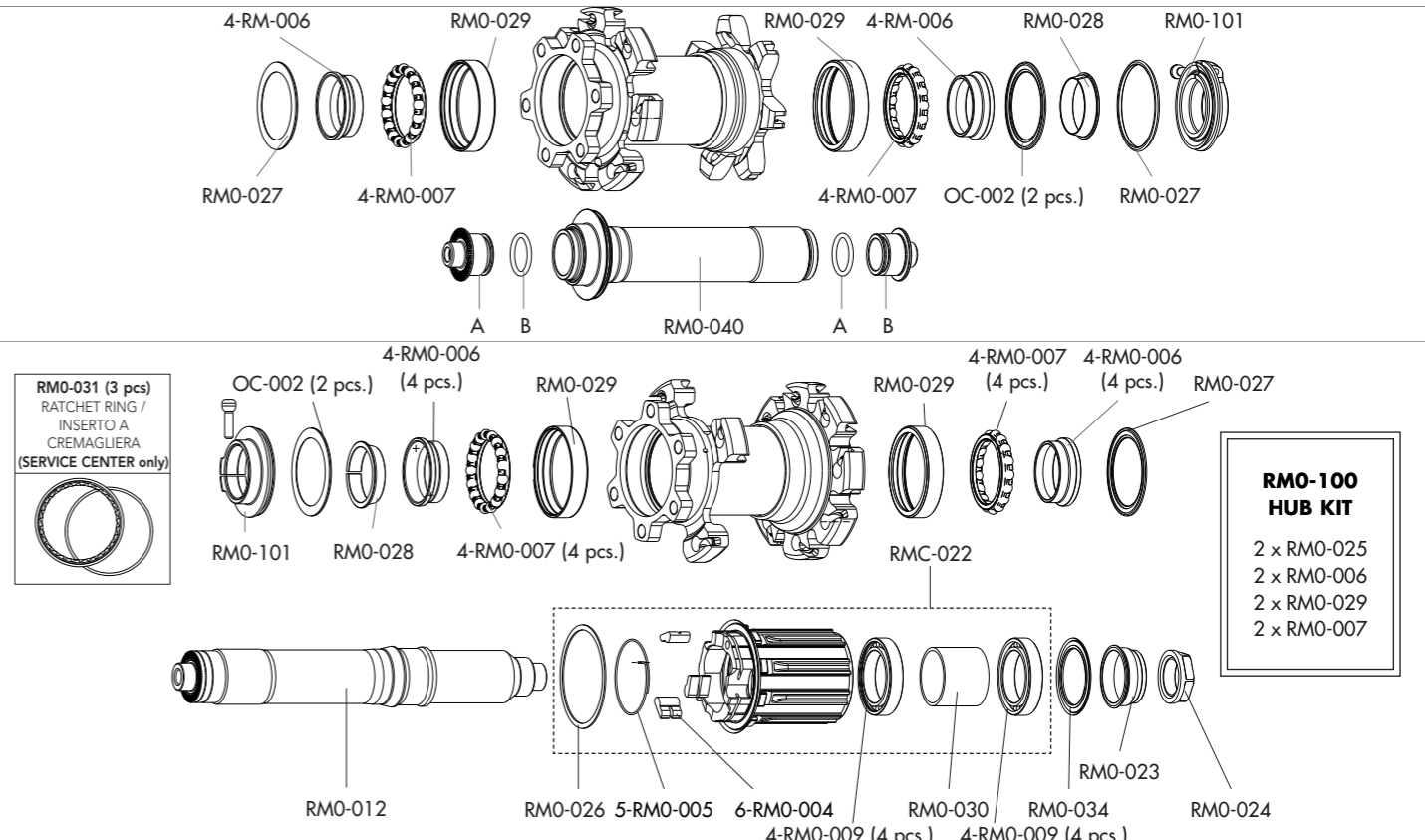
ACCESSORIES

KIT QR	RM11-TAQR	for front wheel (2A + 2B)
KIT 15 thru-axle	RM11-TA15	for front wheel - from QR to 15mm thru axle

RED METAL ZERO XRP

6 BOLTS
front: QR/15 ta
rear: QR

HUBS/MOZZI



4-RM-006 RM0-029 RM0-029 4-RM-006 RM0-028 RM0-101
RM0-027 4-RM-007 4-RM-007 OC-002 (2 pcs.) RM0-027
A B RM0-040 A B
4-RM-006 OC-002 (2 pcs.) (4 pcs.) RM0-029 RM0-029 4-RM-007 4-RM-006 RM0-027
RM0-101 RM0-028 4-RM-007 (4 pcs.) RMC-022 RM0-023 RM0-024
RM0-031 (3 pcs)
RATCHET RING /
INSERTO A
CREMAGLIERA
(SERVICE CENTER only)

**RM0-100
HUB KIT**

2 x RM0-025
2 x RM0-006
2 x RM0-029
2 x RM0-007

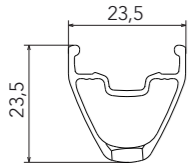
RM0-012 RM0-026 5-RM-005 6-RM-004 RM0-030 RM0-034 RM0-024
4-RM-009 (4 pcs.) 4-RM-009 (4 pcs.)

RED METAL ZERO XRP

AFS
front: QR/15mm ta
rear: QR

RIMS & SPOKES/CERCHI E RAGGI

RIM

	<p>FRONT RIM REAR RIM LABEL KIT VALVE HOLE VALVE DIAMETER</p>	<p>RM0F-DRB01 (black - with labels) RM0R-DRB (black - with labels) RM0-LAB11DB (black - FRONT+REAR) 6,5 mm M1-102 26 Tubeless</p>
---	---	---

SPOKES

<p>COMPLETE FRONT KIT COMPLETE REAR KIT COMPLETE SPOKE Front RH COMPLETE SPOKE Front LH COMPLETE SPOKE Rear RH COMPLETE SPOKE Rear LH NIPPLES TOOL TOOL TOOL TOOL</p>	<p>RM0F-DSK01 RM0R-DSK01 RM0F-DSR01 RM0F-DSL01 RM0R-DSR01 RM0R-DSL01 RM0-B T-02 T-03 T-05 T-07</p>	<p>14 spokes front RH + 7 spokes front LH + 21 nipples 8 spokes rear LH + 16 spokes rear RH + 24 nipples spoke + nipple spoke + nipple spoke + nipple spoke + nipple 10 pcs. spoke anti-rotation magnet-attractor insert for nipple nipple-guide magnet spoke spanner</p>
---	--	---

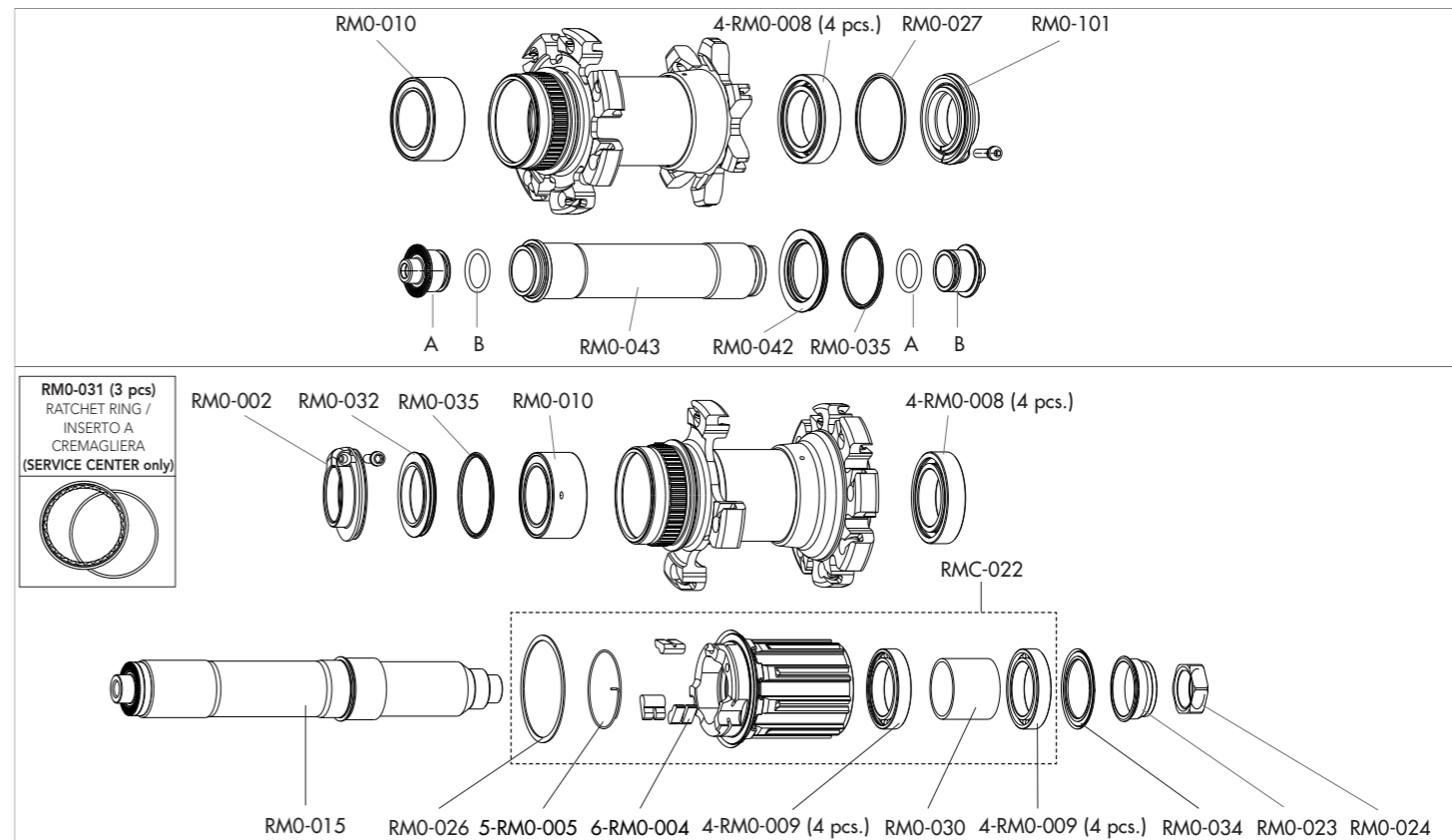
ACCESSORIES

KIT QR	RM11-TAQR	for front wheel (2A + 2B)
KIT 15 thru-axle	RM11-TA15	for front wheel - from QR to 15mm thru axle
AFS LOCKRING	4-M1-101	to fix the brake disc
AFS LOCKRING TOOL	UT-BB130	

RED METAL ZERO XRP

AFS
front: QR/15mm ta
rear: QR

HUBS/MOZZI

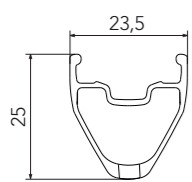


RED METAL 3

6 BOLTS
front: QR/15mm ta
rear: QR

RIMS & SPOKES/CERCHI E RAGGI

RIM

	<p>FRONT/REAR RIM LABEL KIT VALVE HOLE VALVE DIAMETER</p>	<p>RM3F-DRB01 (with labels) RM3-LAB10DB (FRONT+REAR) 6,5 mm M1-102 26 Tubeless</p>
---	---	--

SPOKES

<p>SPOKES Front RH/Rear LH SPOKES Front LH SPOKES Rear RH NIPPLES TOOL TOOL TOOL</p>	<p>RM3-DS11 RM3-DS12 RMZ-DS02 RM3-B T-02 T-10 T-05</p>	<p>8 spokes + 8 nipples 8 spokes + 8 nipples 8 spokes + 8 nipples 50 pcs. spoke anti-rotation magnet-attractor insert for nipple nipple-guide magnet</p>
--	--	--

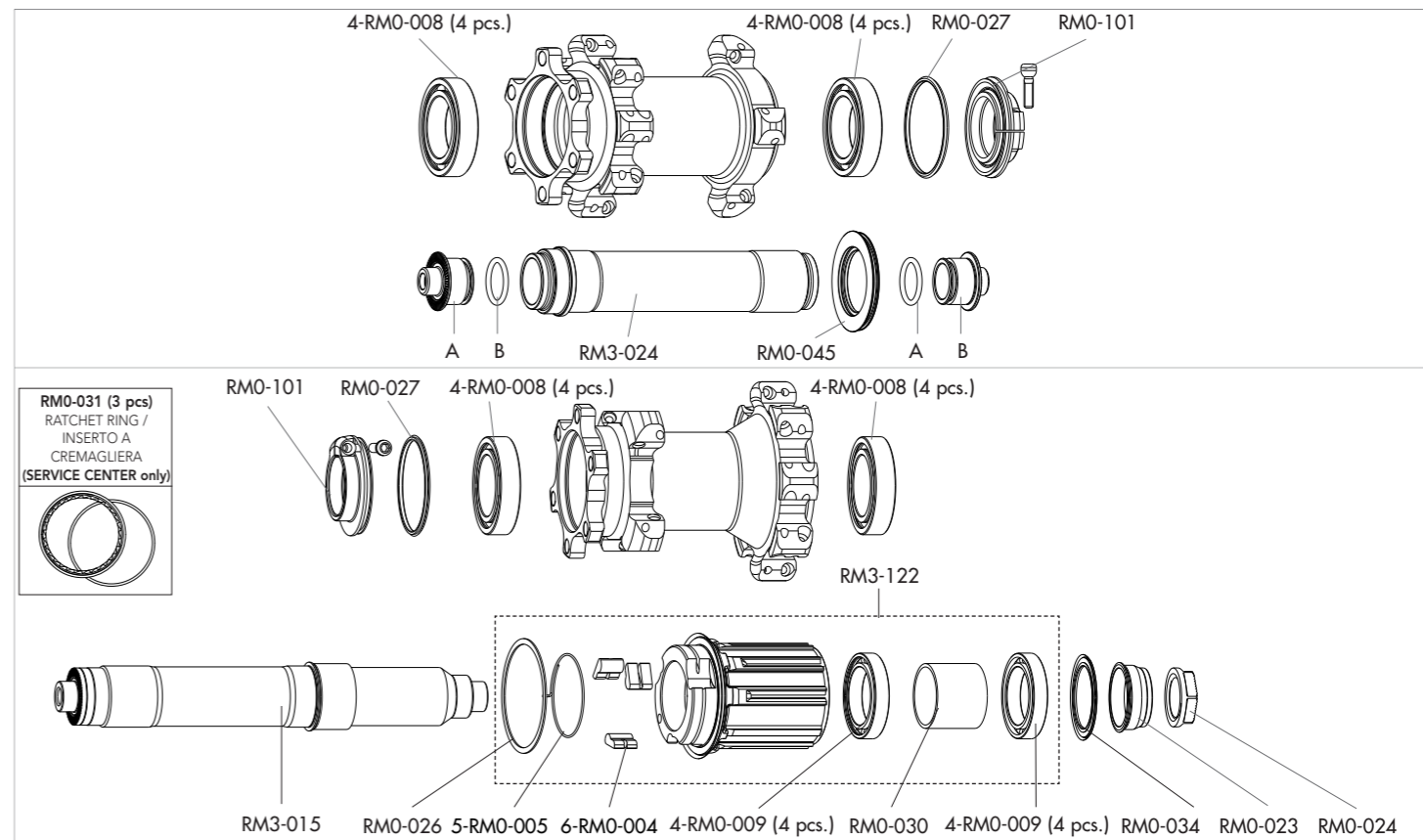
ACCESSORIES

<p>KIT QR</p>	<p>RM11-TAQR</p>	<p>for front wheel (2A + 2B)</p>
<p>KIT 15 thru-axle</p>	<p>RM11-TA15</p>	<p>for front wheel - from QR to 15mm thru axle</p>

RED METAL 3

6 BOLTS
front: QR/15mm ta
rear: QR

HUBS/MOZZI



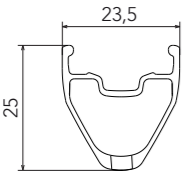
RED METAL 3

6 BOLTS

rear: 12mm to 135/142

RIMS & SPOKES/CERCHI E RAGGI

RIM

	<p>FRONT/REAR RIM LABEL KIT VALVE HOLE VALVE DIAMETER</p>	<p>RM3F-DRB01 (with labels) RM3-LAB10DB (FRONT+REAR) 6,5 mm M1-102 26 Tubeless</p>
---	---	--

SPOKES

<p>SPOKES Rear LH SPOKES Rear RH NIPPLES TOOL TOOL TOOL</p>	<p>RM3-DS11 RMZ-DS02 RM3-B T-02 T-10 T-05</p>	<p>8 spokes + 8 nipples 8 spokes + 8 nipples 50 pcs. spoke anti-rotation magnet-attractor insert for nipple nipple-guide magnet</p>
---	---	---

ACCESSORIES

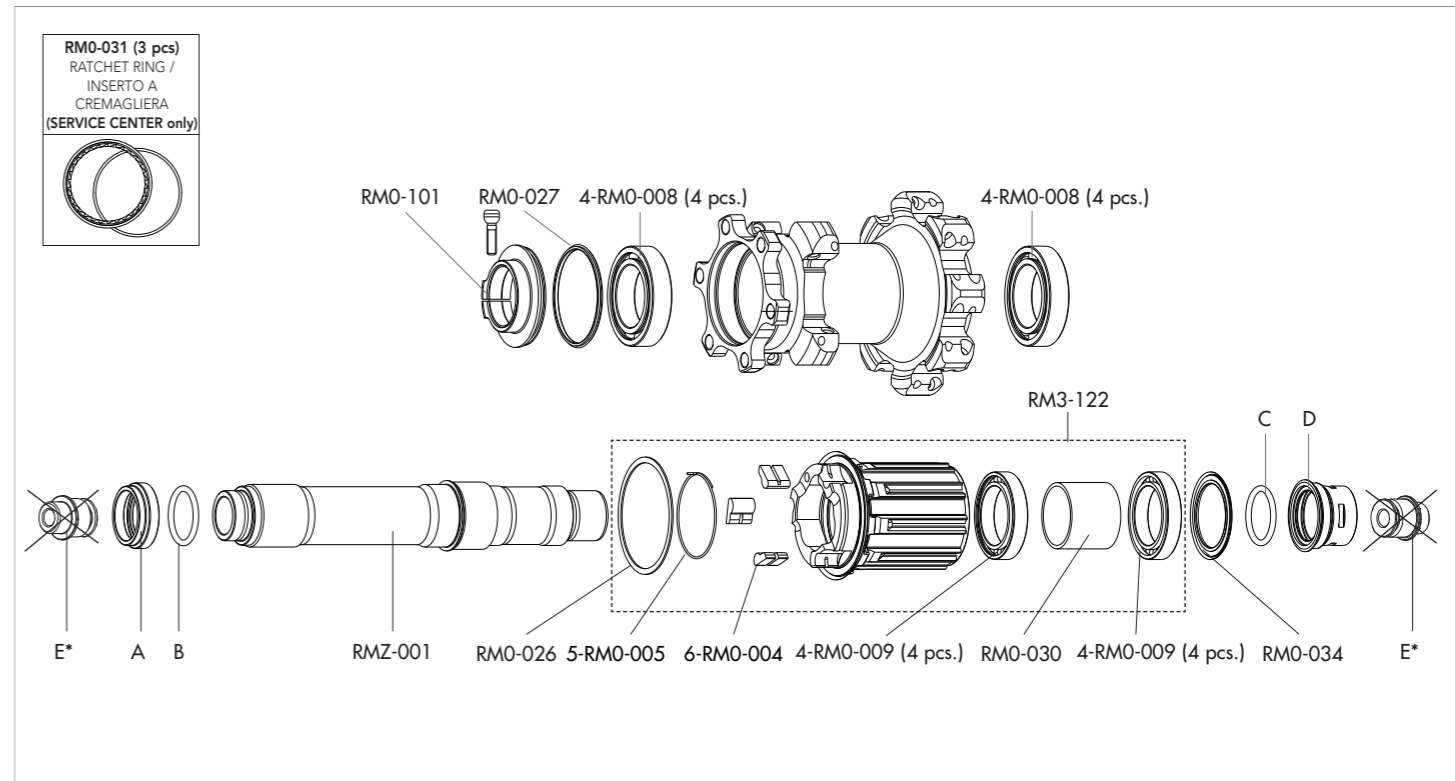
<p>A+B+C+D</p>	<p>135 mm O.L.D.</p>	<p>KIT-X12</p>
<p>A+B+C+D</p>	<p>142 mm O.L.D.</p>	<p>RM11-TA12</p>

RED METAL 3

6 BOLTS

rear: 12mm to 135/142

HUBS/MOZZI



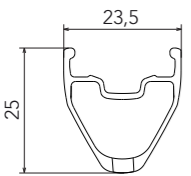
* E - ATTENTION: this adapter is absolutely not compatible.

RED METAL 3

AFS
front: QR/15mm ta
rear: QR

RIMS & SPOKES/CERCHI E RAGGI

RIM

	<p>FRONT RIM/POST LABEL KIT VALVE HOLE VALVE DIAMETER</p>	<p>RM3F-DRB01 (with labels) RM3-LAB10DB (FRONT+REAR) 6,5 mm M1-102 26 Tubeless</p>
---	---	--

SPOKES

<p>SPOKES Front RH/Rear LH SPOKES Front LH SPOKES Rear RH NIPPLES TOOL TOOL TOOL</p>	<p>RM3-DS11 RM3-DS12 RMZ-DS02 RM3-B T-02 T-10 T-05</p>	<p>8 spokes + 8 nipples 8 spokes + 8 nipples 8 spokes + 8 nipples 50 pcs. spoke anti-rotation magnet-attractor insert for nipple nipple-guide magnet</p>
--	--	--

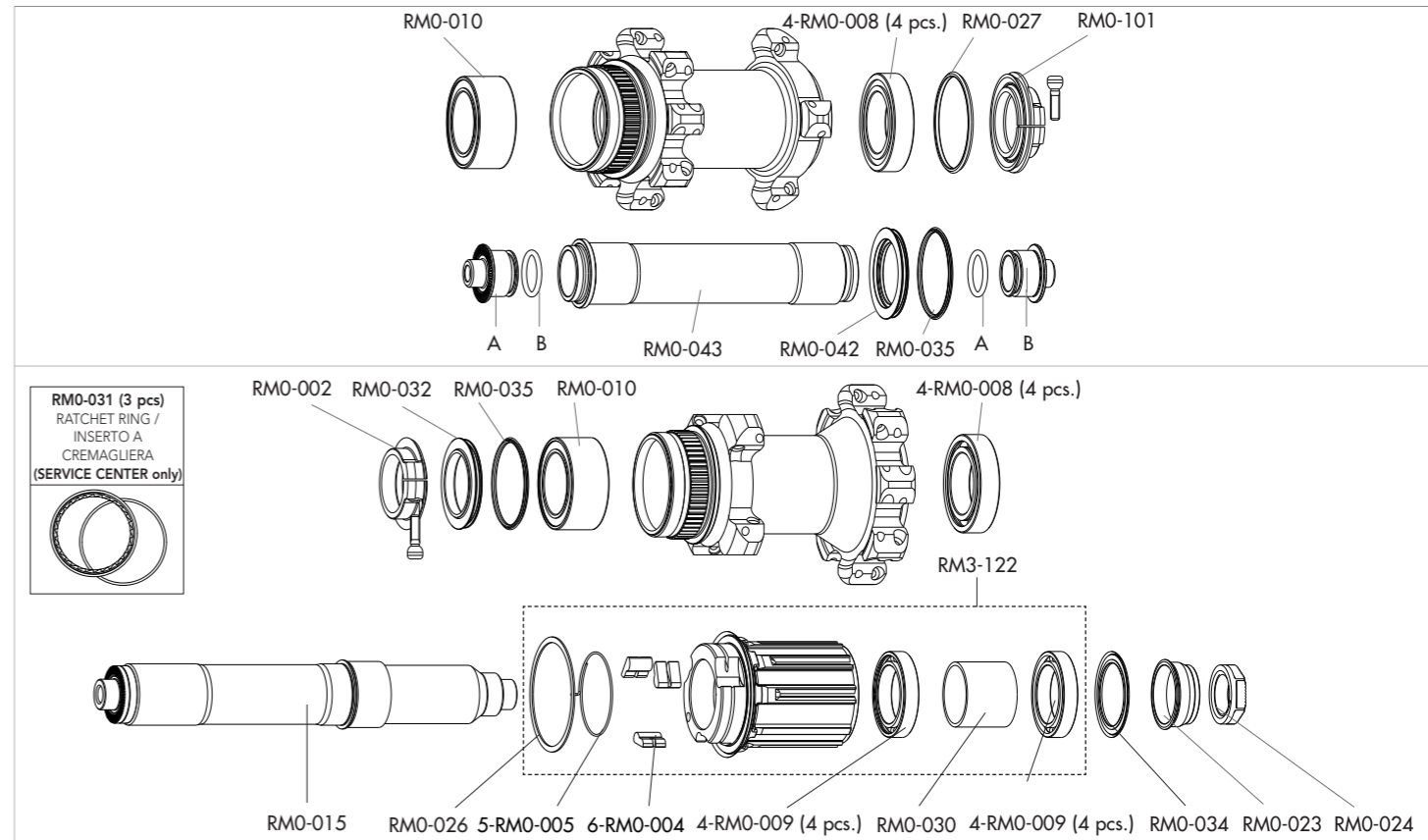
ACCESSORIES

KIT QR	RM11-TAQR	for front wheel (2A + 2B)
KIT 15 thru-axle	RM11-TA15	for front wheel - from QR to 15mm thru axle
AFS LOCKRING	4-M1-101	to fix the brake disc
AFS LOCKRING TOOL	UT-BB130	

RED METAL 3

AFS
front: QR/15mm ta
rear: QR

HUBS/MOZZI

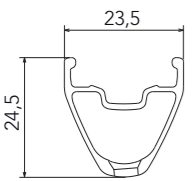


RED METAL XRP 650B

6 BOLTS
front: QR/15mm thru axle
rear: QR

RIMS & SPOKES/CERCHI E RAGGI

RIM

	<p>FRONT RIM REAR RIM LABEL KIT VALVE HOLE VALVE DIAMETER</p>	<p>RM7F-DRB (with labels) RM7R-DRB (with labels) RM7-LAB14DB (FRONT+REAR) 6,5 mm M1-102 27,5 Tubeless</p>
---	---	---

SPOKES

<p>SPOKES Front LH / Rear RH SPOKES Front RH SPOKES Rear LH NIPPLES TOOL TOOL TOOL</p>	<p>RM7-DS01 RM7-DS02 RM7-DS03 RM9-R T-11 T-05 T-18</p>	<p>8 spokes + 8 nipples 8 spokes + 8 nipples 8 spokes + 8 nipples 10 pcs magnet-attractor insert for nipple nipple-guide magnet spoke spanner</p>
--	--	---

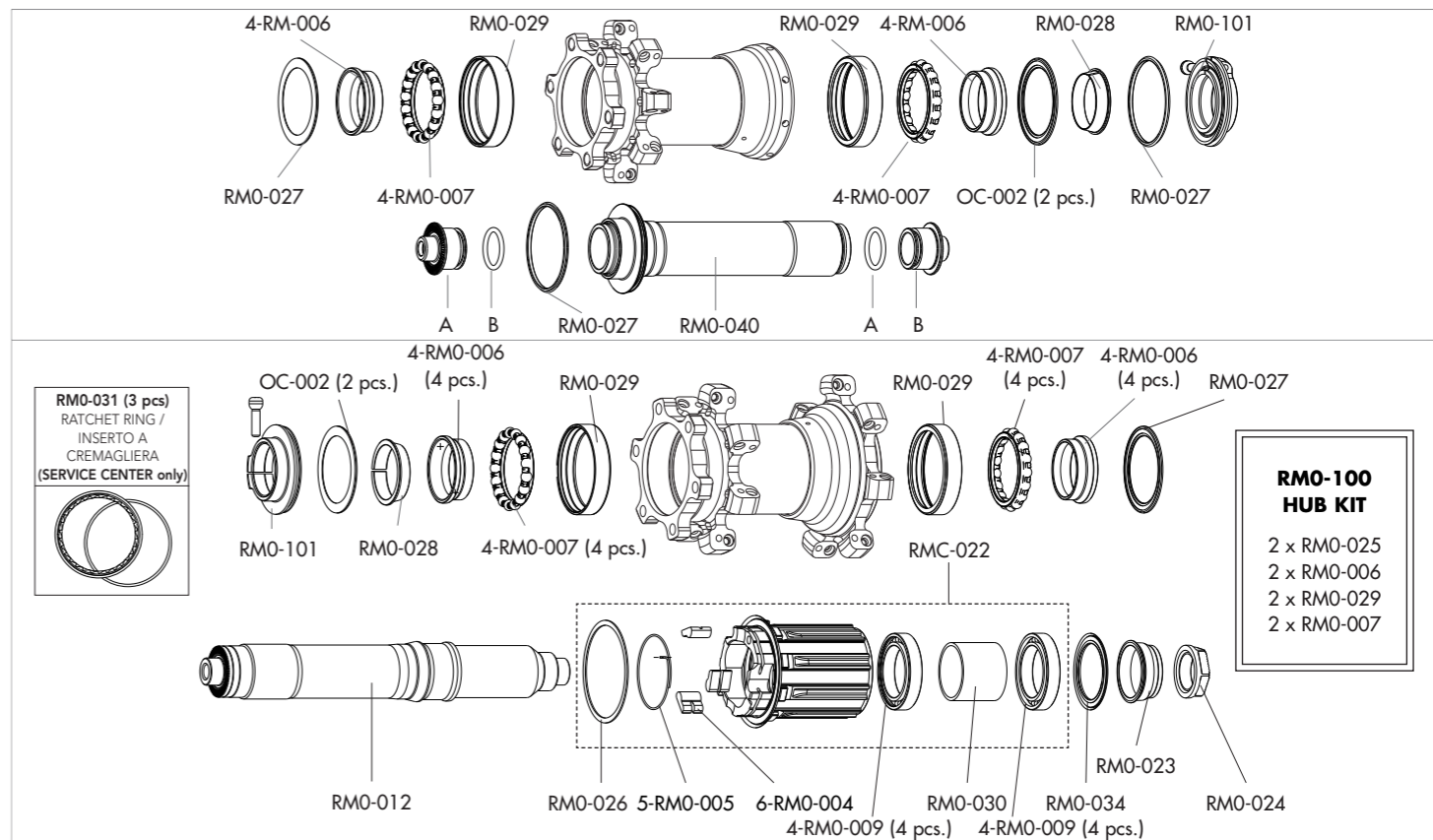
ACCESSORIES

KIT QR	RM11-TAQR	for front wheel (2A + 2B)
KIT 15 thru-axle	RM11-TA15	for front wheel - from QR to 15mm thru axle

RED METAL XRP 650B

6 BOLTS
front: QR/15mm thru axle
rear: QR

HUBS/MOZZI

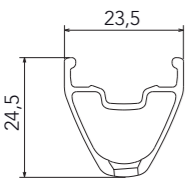


RED METAL XRP 650B

AFS
front: QR/15mm ta
rear: QR

RIMS & SPOKES/CERCHI E RAGGI

RIM

	<p>FRONT RIM REAR RIM LABEL KIT VALVE HOLE VALVE DIAMETER</p>	<p>RM7F-DRB (with labels) RM7R-DRB (with labels) RM7-LAB14DB (FRONT+REAR) 6,5 mm M1-102 27,5 Tubeless</p>
---	---	---

SPOKES

<p>SPOKES Front LH / Rear RH SPOKES Front RH SPOKES Rear LH NIPPLES TOOL TOOL TOOL</p>	<p>RM7-DS01 RM7-DS02 RM7-DS03 RM9-R T-11 T-05 T-18</p>	<p>8 spokes + 8 nipples 8 spokes + 8 nipples 8 spokes + 8 nipples 10 pcs magnet-attractor insert for nipple nipple-guide magnet spoke spanner</p>
--	--	---

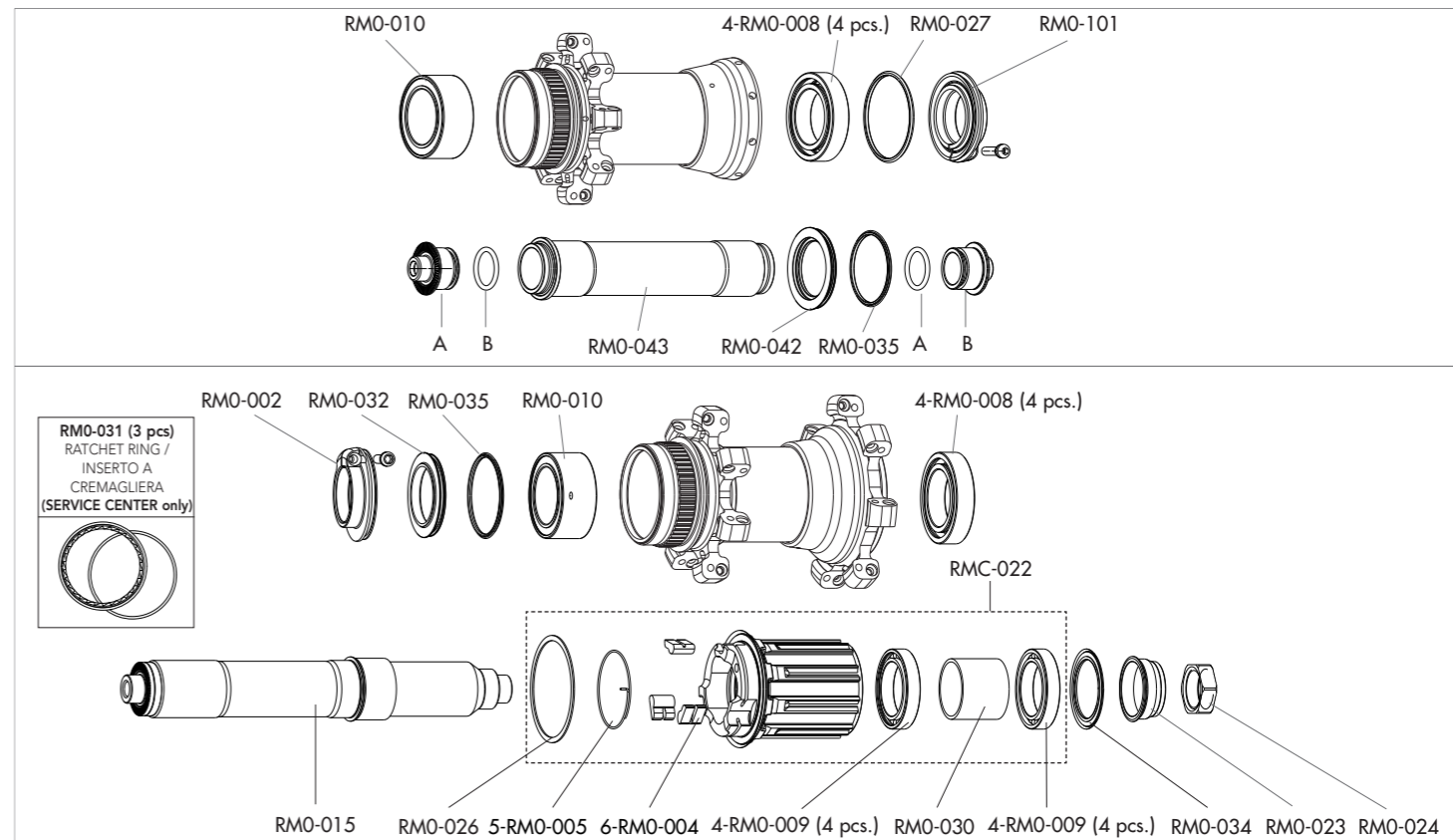
ACCESSORIES

KIT QR	RM11-TAQR	for front wheel (2A + 2B)
KIT 15 thru-axle	RM11-TA15	for front wheel - from QR to 15mm thru axle
AFS LOCKRING	4-M1-101	to fix the brake disc
AFS LOCKRING TOOL	UT-BB130	

RED METAL XRP 650B

AFS
front: QR/15mm ta
rear: QR

HUBS/MOZZI



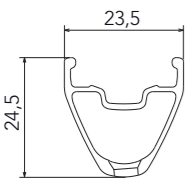
RED METAL XRP 650B

6 BOLTS

rear: 12mm to 135/142

RIMS & SPOKES/CERCHI E RAGGI

RIM

	<p>REAR RIM LABEL KIT VALVE HOLE VALVE DIAMETER</p>	<p>RM7R-DRB (with labels) RM7-LAB14DB (FRONT+REAR) 6,5 mm M1-102 27,5 Tubeless</p>
---	---	--

SPOKES

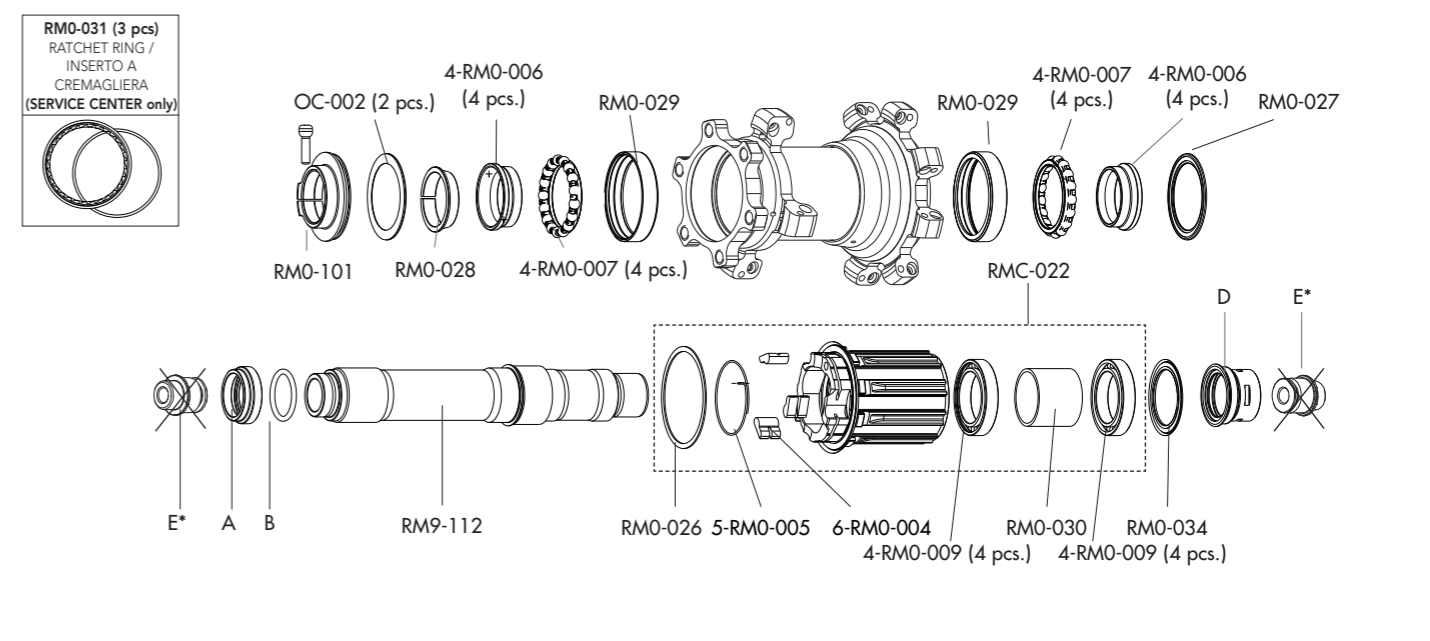
<p>SPOKES Rear RH SPOKES Rear LH NIPPLES TOOL TOOL TOOL</p>	<p>RM7-DS01 RM7-DS03 RM9-R T-11 T-05 T-18</p>	<p>8 spokes + 8 nipples 8 spokes + 8 nipples 10 pcs magnet-attractor insert for nipple nipple-guide magnet spoke spanner</p>
---	---	--

RED METAL XRP 650B

6 BOLTS

rear: 12mm to 135/142
Shimano FW body

HUBS/MOZZI



ACCESSORIES

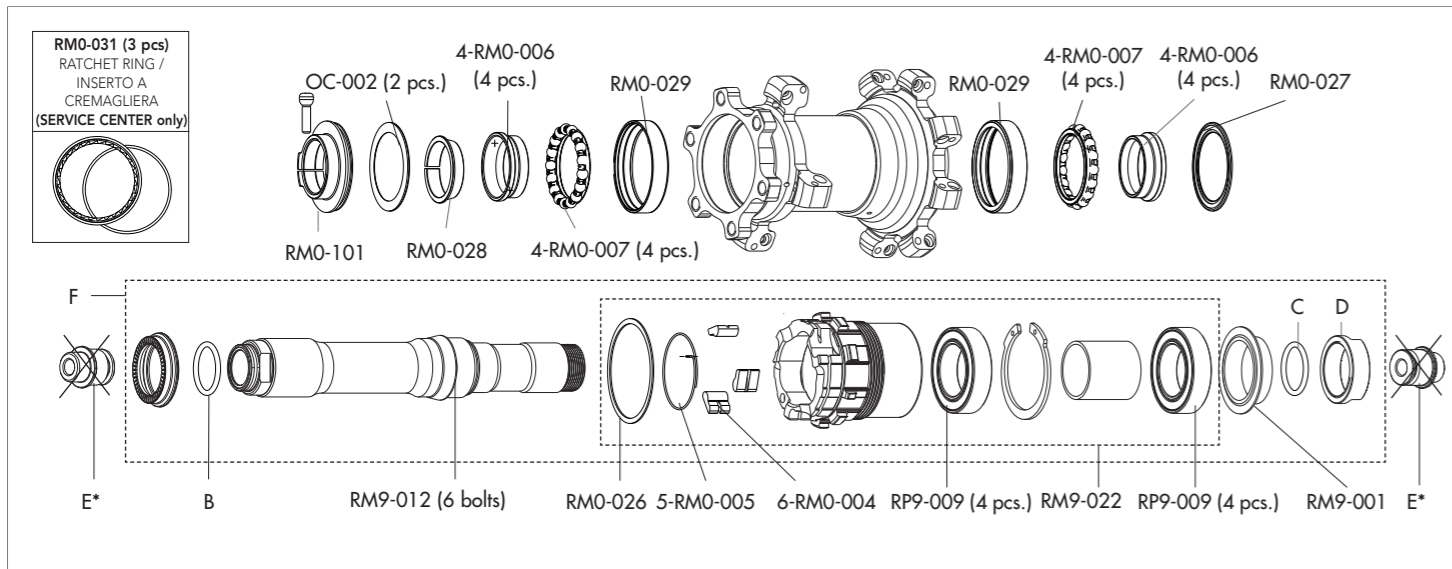
A+B+D (HG FW body)	135 mm O.L.D.	KIT-X12
A+B+D (HG FW body)	142 mm O.L.D.	RM11-TA12

* E - ATTENTION: this adapter is absolutely not compatible.

RED METAL XRP 650B

6 BOLTS
rear: 12mm to 135/142
XD FW body

HUBS/MOZZI



* E - ATTENTION: this adapter is **absolutely not compatible**.

ACCESSORIES

F	RM9-XD	KIT XD - 6 bolts
F	RM9-XDAFS	KIT XD - AFS
A+B+C+D	RM14-TA12135XD	135 mm O.L.D.
A+B+C+D	RM14-TA12142XD	142 mm O.L.D.

RED METAL 29 XRP

6 BOLTS
front: QR/15mm to
rear: QR

RIMS & SPOKES/CERCHI E RAGGI

RIM

	<p>FRONT RIM REAR RIM LABEL KIT VALVE HOLE VALVE DIAMETER</p>	<p>RM9F-DRB (with labels) RM9R-DRB (with labels) RM9-LAB13DB (FRONT+REAR) 6,5 mm M1-102 29 Tubeless</p>
--	---	---

SPOKES

<p>SPOKES Front LH SPOKES Front RH SPOKES Rear NIPPLES TOOL TOOL TOOL</p>	<p>RM9F-DS01 RM9F-DS02 RM9R-DS01 RM9-R T-11 T-05 T-18</p>	<p>8 spokes + 8 nipples 8 spokes + 8 nipples 8 spokes + 8 nipples 10 pcs magnet-attractor insert for nipple nipple-guide magnet spoke spanner</p>
---	---	---

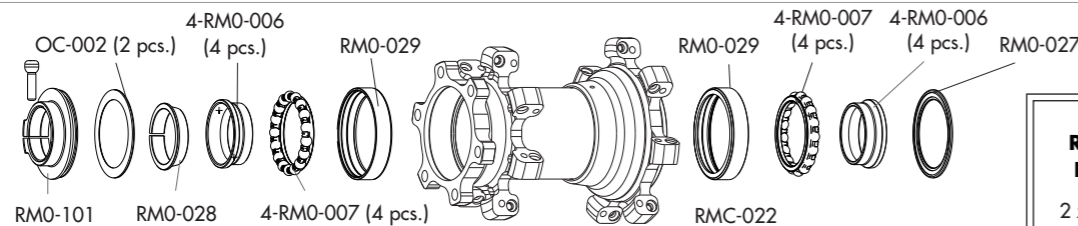
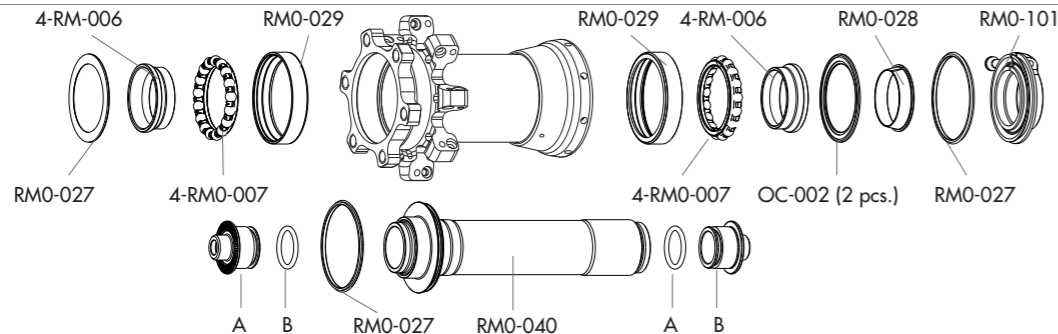
ACCESSORIES

KIT QR	RM11-TAQR	for front wheel (2A + 2B)
KIT 15 thru-axle	RM11-TA15	for front wheel - from QR to 15mm thru axle

RED METAL 29 XRP

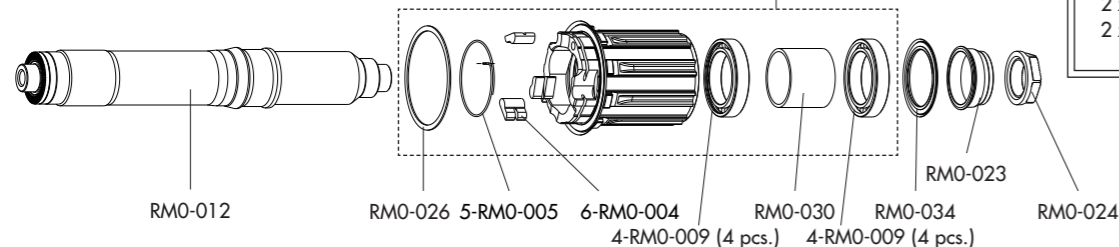
6 BOLTS
front: QR/15mm ta
rear: QR

HUBS/MOZZI



RM0-100 HUB KIT

2 x RM0-025
2 x RM0-006
2 x RM0-029
2 x RM0-007

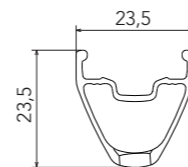


RED METAL 29 XRP

AFS
front: QR/15mm ta
rear: QR

RIMS & SPOKES/CERCHI E RAGGI

RIM



FRONT RIM
REAR RIM
LABEL KIT
VALVE HOLE
VALVE
DIAMETER

RM9F-DRB (with labels)
RM9R-DRB (with labels)
RM9-LAB13DB (FRONT+REAR)
6,5 mm
M1-102
29 Tubeless

SPOKES

SPOKES Front LH
SPOKES Front RH
SPOKES Rear
NIPPLES
TOOL
TOOL
TOOL

RM9F-DS01
RM9F-DS02
RM9R-DS01
RM9-R
T-11
T-05
T-18

8 spokes + 8 nipples
8 spokes + 8 nipples
8 spokes + 8 nipples
10 pcs
magnet-attractor insert for nipple
nipple-guide magnet
spoke spanner

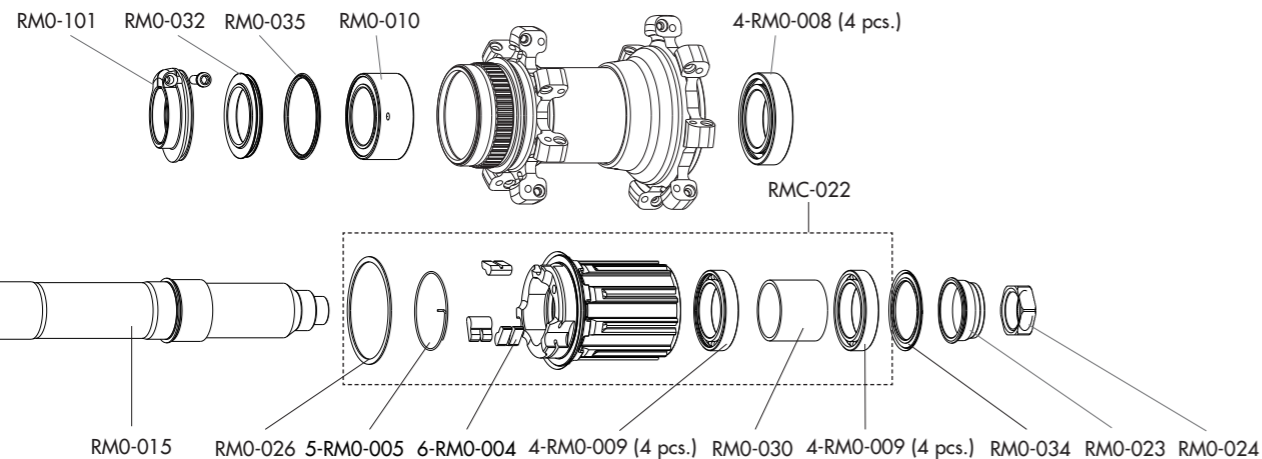
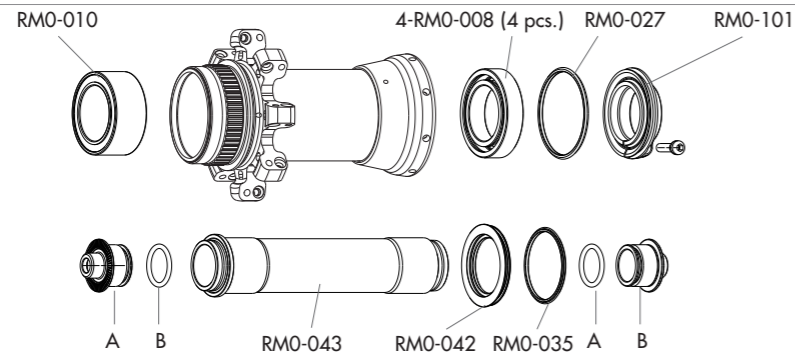
ACCESSORIES

KIT QR	RM11-TAQR	for front wheel (2A + 2B)
KIT 15 thru-axle	RM11-TA15	for front wheel - from QR to 15mm thru axle
AFS LOCKRING	4-M1-101	to fix the brake disc
AFS LOCKRING TOOL	UT-BB130	

RED METAL 29 XRP

AFS
front: QR/15mm ta
rear: QR

HUBS/MOZZI



RED METAL 29 XRP

6 BOLTS

rear: 12mm ta 135/142

RIMS & SPOKES/CERCHI E RAGGI

RIM

	<p>REAR RIM LABEL KIT VALVE HOLE VALVE DIAMETER</p>	<p>RM9R-DRB (with labels) RM9-LAB13DB (FRONT+REAR) 6,5 mm M1-102 29 Tubeless</p>
--	---	--

SPOKES

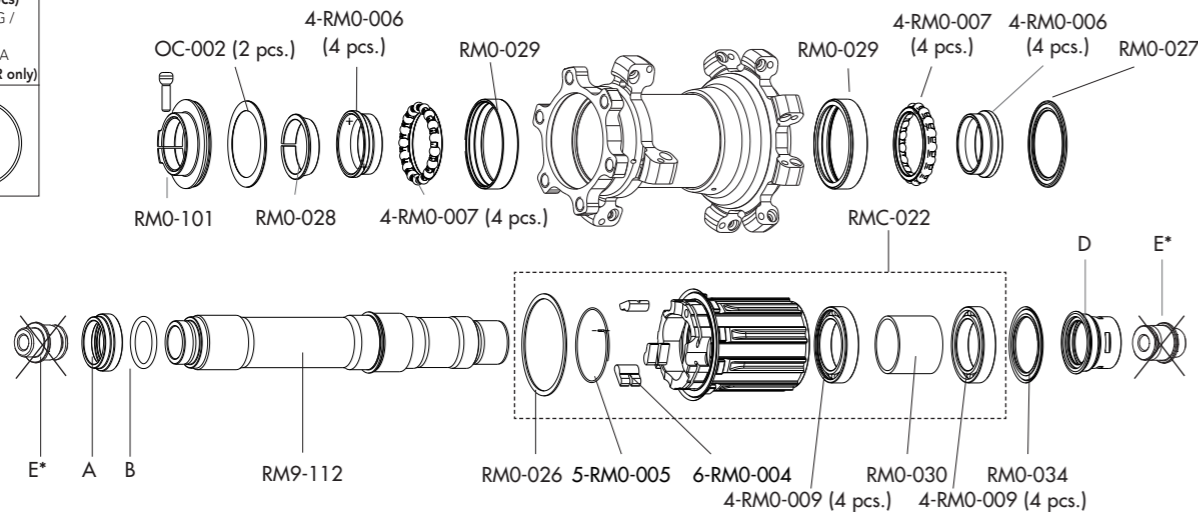
<p>SPOKES Rear NIPPLES TOOL TOOL TOOL</p>	<p>RM9R-DS01 RM9-R T-11 T-05 T-18</p>	<p>8 spokes + 8 nipples 10 pcs magnet-attractor insert for nipple nipple-guide magnet spoke spanner</p>
---	---	---

RED METAL 29 XRP

6 BOLTS
rear: 12mm to 135/142
Shimano FW body

HUBS/MOZZI

RM0-031 (3 pcs)
RATCHET RING /
INSERTO A
CREMAGLIERA
(SERVICE CENTER only)



ACCESSORIES

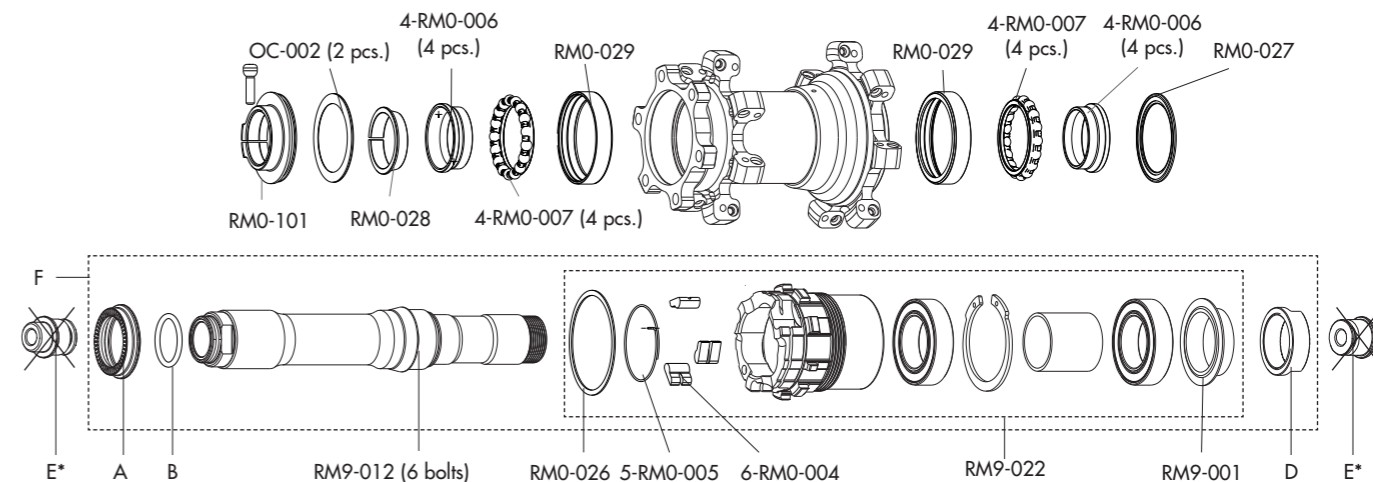
A+B+D (HG FW body)	135 mm O.L.D.	KIT-X12
A+B+D (HG FW body)	142 mm O.L.D.	RM11-TA12

* E - ATTENTION: this adapter is absolutely not compatible.

RED METAL 29 XRP

6 BOLTS
rear: 12mm to 135/142
XD FW body

HUBS/MOZZI



ACCESSORIES

F	RM9-XD	KIT XD - 6 bolts
F	RM9-XDAFS	KIT XD - AFS
A+B+D	RM14-TA12135XD	135 mm O.L.D.
A+B+D	RM14-TA12142XD	142 mm O.L.D.

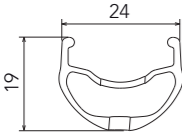
* E - ATTENTION: this adapter is absolutely not compatible.

RED POWER XL

6 BOLTS
front: QR/15mm ta
rear: QR

RIMS & SPOKES/CERCHI E RAGGI

RIM

	LABEL KIT VALVE HOLE BUSHING RIM-TAPE DIAMETER	RPX-LAB1 2DB (FRONT+REAR) 8,5 mm RPX-015 (for valve seat reduction - 10 pcs.) RPX-RT 559 X 19C
---	---	--

SPOKES

SPOKES Front RH SPOKES Front LH SPOKES Rear RH SPOKES Rear LH	RPX-DS01 RPX-DS02 RPX-DS03 RMH-DS02	8 spokes + 8 nipples 8 spokes + 8 nipples 8 spokes + 8 nipples 8 spokes + 8 nipples
--	--	--

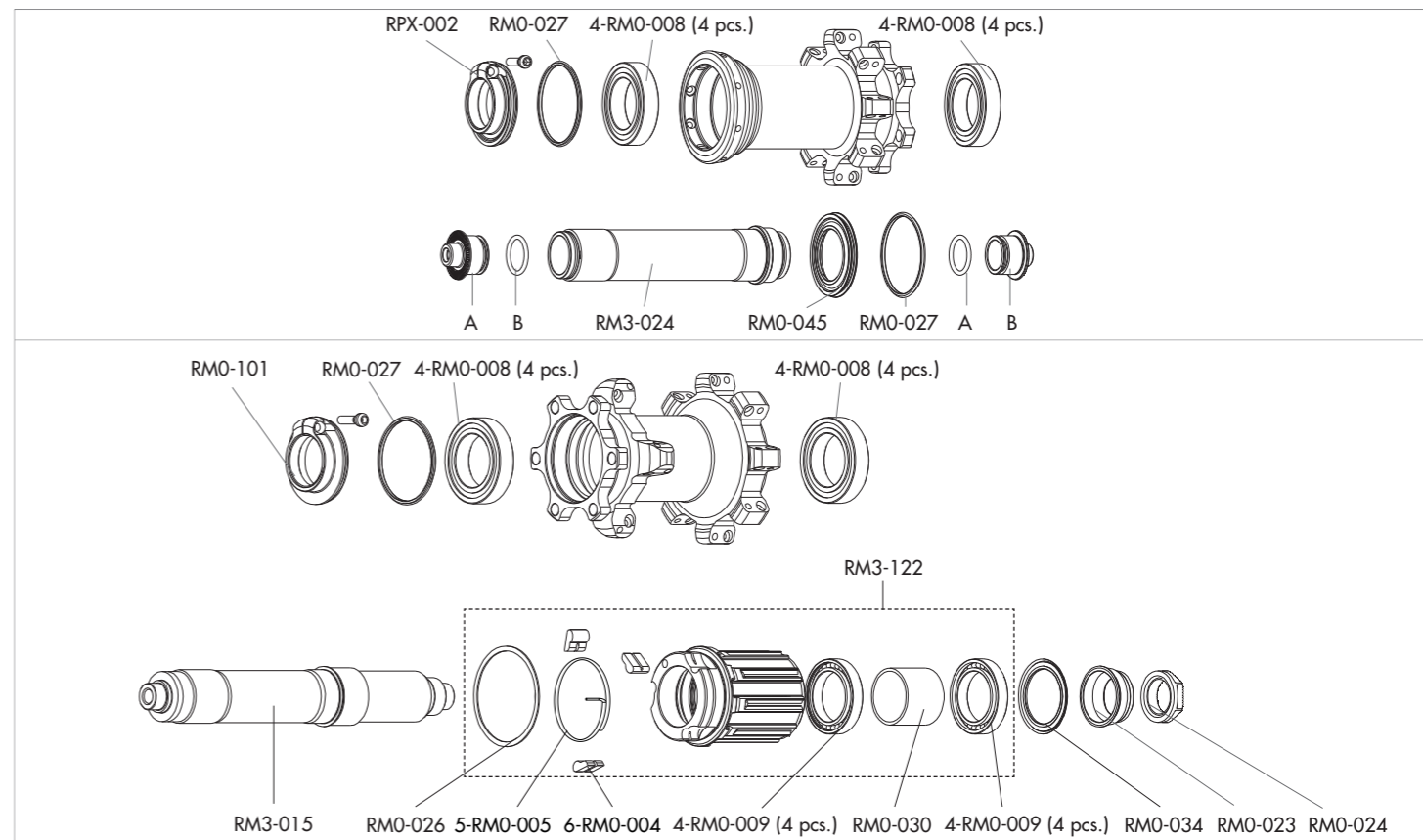
ACCESSORIES

KIT QR	RM11-TAQR	for front wheel (2A + 2B)
KIT 15 thru-axle	RM11-TA15	for front wheel - from QR to 15mm thru axle

RED POWER XL

6 BOLTS
front: QR/15mm ta
rear: QR

HUBS/MOZZI



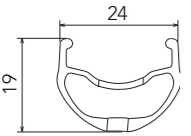
RED POWER XL

6 BOLTS

rear: 12mm ta 135/142

RIMS & SPOKES/CERCHI E RAGGI

RIM

	LABEL KIT VALVE HOLE VALVE HOLE BUSHING RIM-TAPE DIAMETER	RPX-LAB1 2DB (FRONT+REAR) 8,5 mm RPX-015 (for valve seat reduction - 10 pcs.) RPX-RT 559 X 19C
---	---	--

SPOKES

SPOKES Rear RH SPOKES Rear LH	RPX-DS03 RMH-DS02	8 spokes + 8 nipples 8 spokes + 8 nipples
----------------------------------	----------------------	--

ACCESSORIES

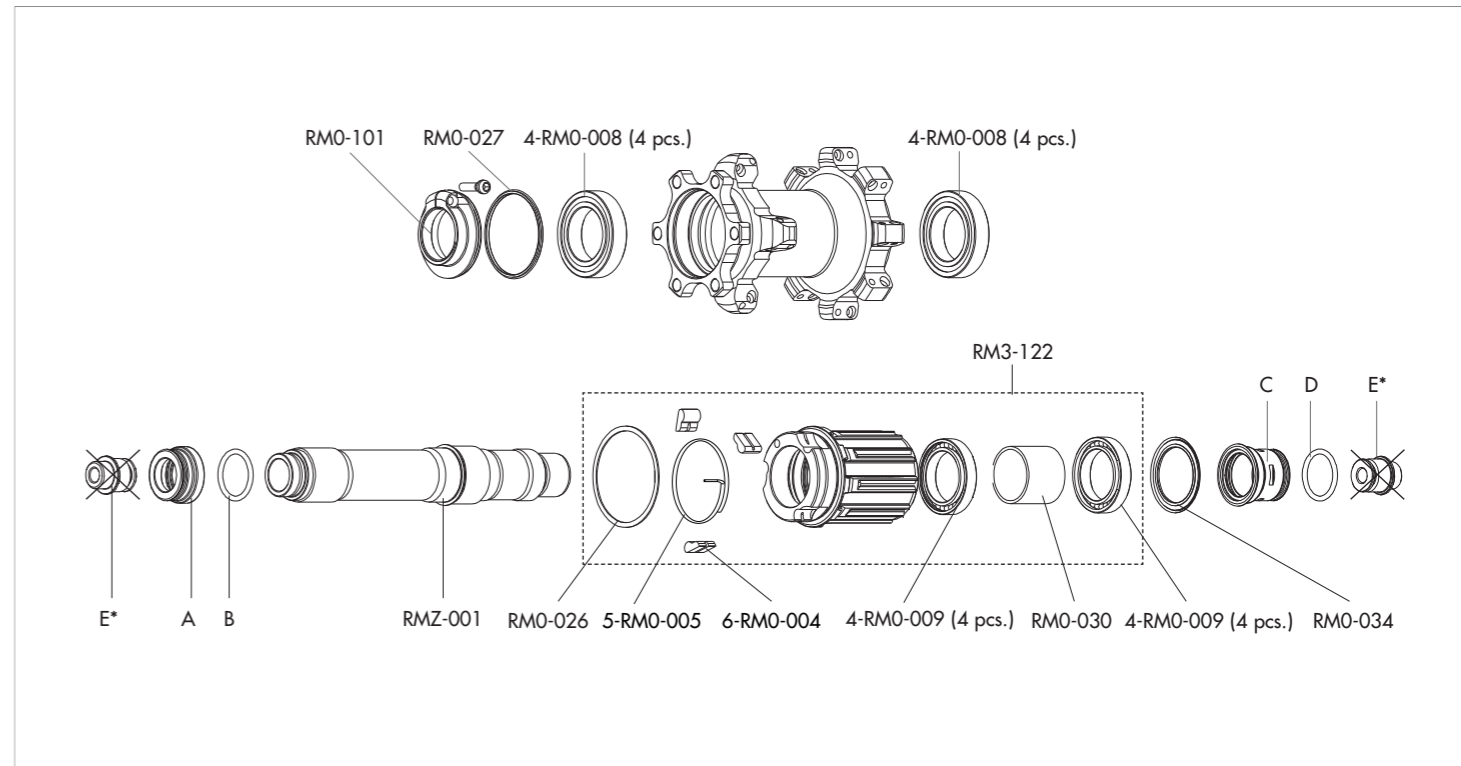
A+B+C+D	135 mm O.L.D.	KIT-X12
A+B+C+D	142 mm O.L.D.	RM11-TA12

RED POWER XL

6 BOLTS

rear: 12mm ta 135/142

HUBS/MOZZI



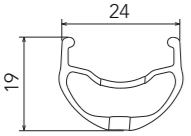
* E - ATTENTION: this adapter is absolutely not compatible.

RED POWER XL

AFS
front: QR/15mm ta
rear: QR

RIMS & SPOKES/CERCHI E RAGGI

RIM

	<p>LABEL KIT VALVE HOLE VALVE HOLE BUSHING RIM-TAPE DIAMETER</p>	<p>RPX-LAB1 2DB (FRONT+REAR) 8,5 mm RPX-015 (for valve seat reduction - 10 pcs.) RPX-RT 559 X 19C</p>
---	--	---

SPOKES

<p>SPOKES Front RH SPOKES Front LH SPOKES Rear RH SPOKES Rear LH</p>	<p>RPX-DS01 RPX-DS02 RPX-DS03 RMH-DS02</p>	<p>8 spokes + 8 nipples 8 spokes + 8 nipples 8 spokes + 8 nipples 8 spokes + 8 nipples</p>
--	--	--

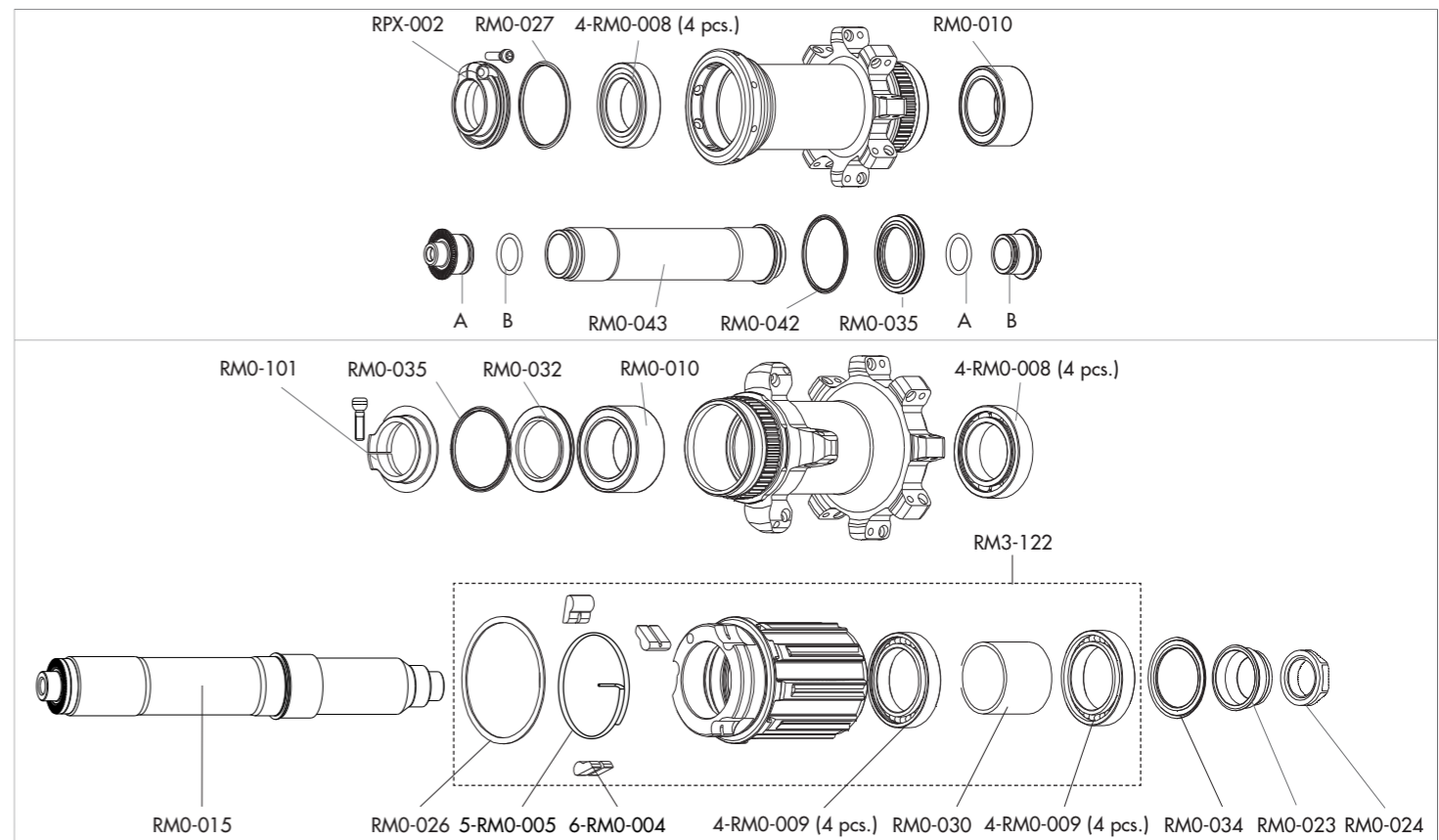
ACCESSORIES

<p>KIT QR</p>	<p>RM11-TAQR</p>	<p>for front wheel (2A + 2B)</p>
<p>KIT 15 thru-axle</p>	<p>RM11-TA15</p>	<p>for front wheel - from QR to 15mm thru axle</p>
<p>AFS LOCKRING</p>	<p>4-M1-101</p>	<p>to fix the brake disc</p>
<p>AFS LOCKRING TOOL</p>	<p>UT-BB130</p>	

RED POWER XL

AFS
front: QR/15mm ta
rear: QR

HUBS/MOZZI



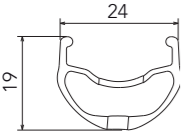
RED POWER XL

AFS

rear: 12mm to 135/142

RIMS & SPOKES/CERCHI E RAGGI

RIM

	LABEL KIT VALVE HOLE VALVE HOLE BUSHING RIM-TAPE DIAMETER	RPX-LAB1 2DB (FRONT+REAR) 8,5 mm RPX-015 (for valve seat reduction - 10 pcs.) RPX-RT 559 X 19C
---	---	--

SPOKES

SPOKES Rear RH SPOKES Rear LH	RPX-DS03 RMH-DS02	8 spokes + 8 nipples 8 spokes + 8 nipples
----------------------------------	----------------------	--

ACCESSORIES

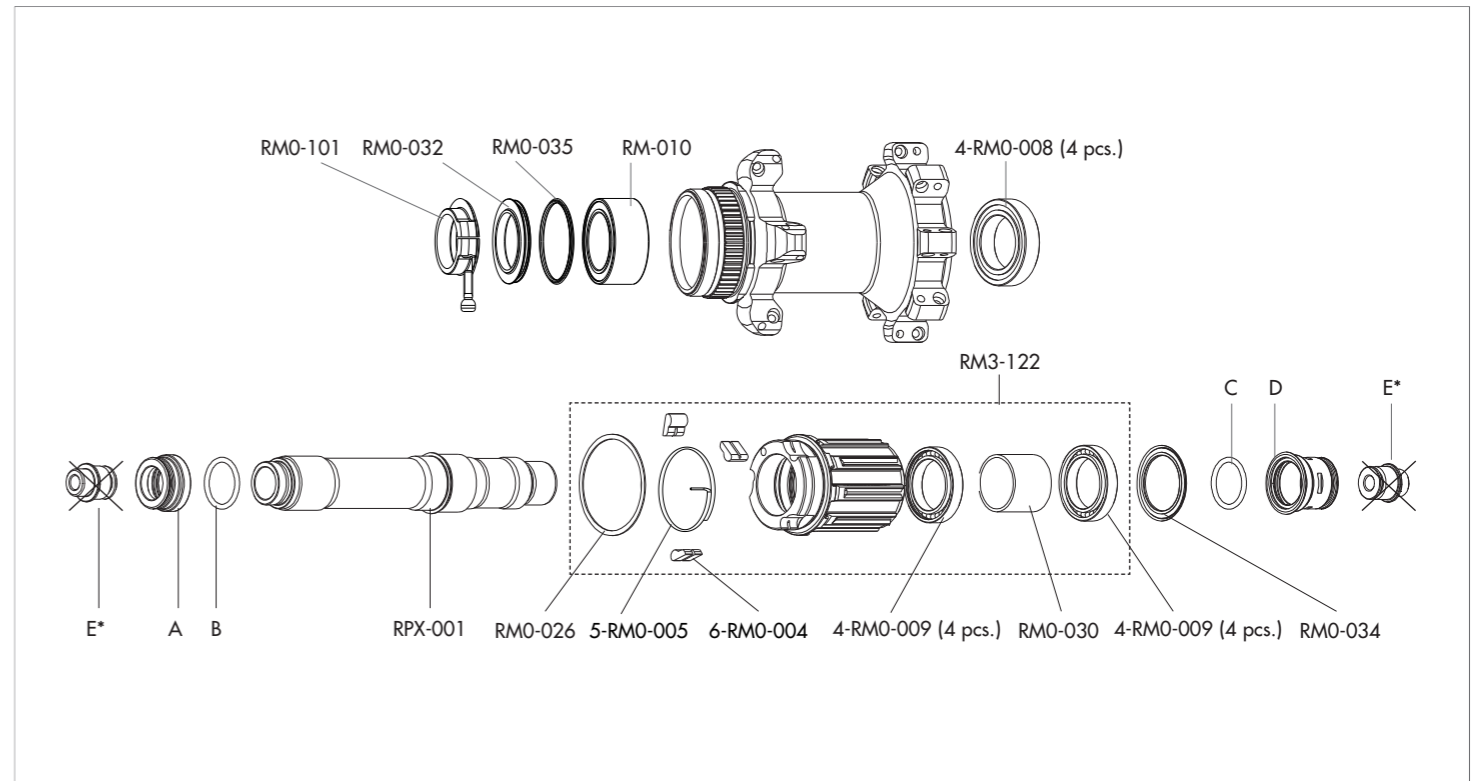
A+B+C+D	135 mm O.L.D.	KIT-X12AFS
A+B+C+D	142 mm O.L.D.	RM11-TA12AFS
AFS LOCKRING	4-M1-101	to fix the brake disc
AFS LOCKRING TOOL	UT-BB130	

RED POWER XL

AFS

rear: 12mm to 135/142

HUBS/MOZZI



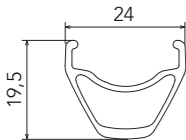
* E - ATTENTION: this adapter is absolutely not compatible.

RED POWER 27.5 HP

6 BOLTS
front: QR/15mm ta
rear: QR/12mm ta 142-135

RIMS & SPOKES/CERCHI E RAGGI

RIM

	LABEL KIT VALVE HOLE RIM-TAPE DIAMETER	RP7-LAB15DBH (FRONT+REAR) 6,5 mm RP7-RT 584 X 19C
---	---	--

SPOKES

SPOKES Front LH / Rear LH SPOKES Front RH / Rear RH NIPPLES	RP7-DS11 RP7-DS12 50-R3-N	8 spokes + 8 nipples 8 spokes + 8 nipples 50 nipples
---	---------------------------------	--

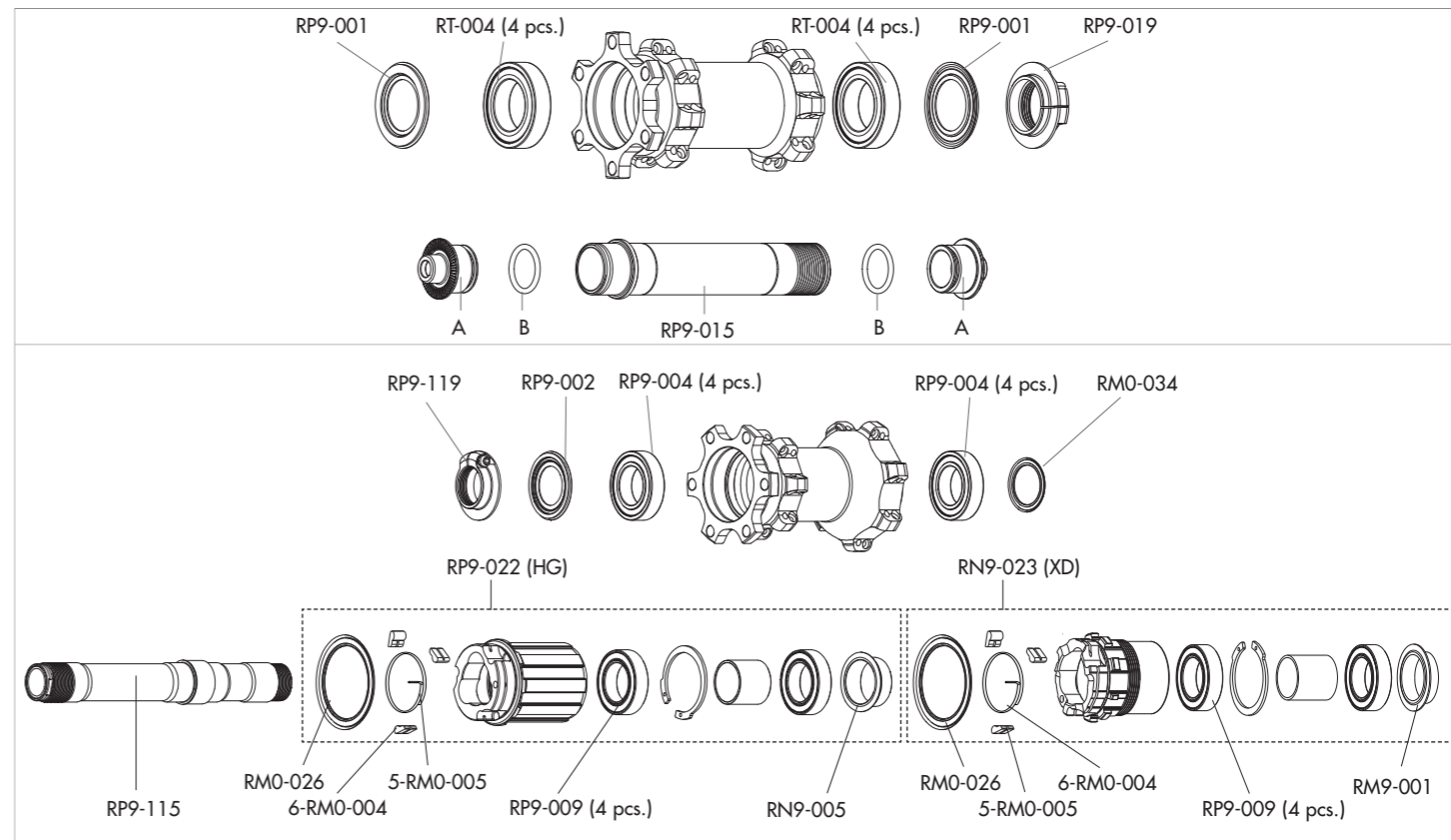
ACCESSORIES

KIT QR	RM11-TAQR	for front wheel (2A + 2B)
KIT 15 thru-axle	KITFCFA15	for front wheel - from QR to 15mm thru axle
REAR WHEELS ADAPTERS KIT ON PAGE 134		

RED POWER 27.5 HP

6 BOLTS
front: QR/15mm ta
rear: QR/12mm ta 142-135

HUBS/MOZZI

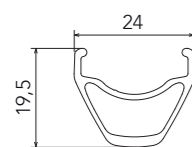


RED POWER 27.5 HP

AFS
front: QR/15mm ta
rear: QR/12mm ta 142-135

RIMS & SPOKES/CERCHI E RAGGI

RIM

	LABEL KIT VALVE HOLE RIM-TAPE DIAMETER	RP7-LAB15DBH (FRONT+REAR) 6,5 mm RP7-RT 584 X 19C
---	---	--

SPOKES

SPOKES Front LH / Rear LH SPOKES Front RH / Rear RH NIPPLES	RP7-DS11 RP7-DS12 50-R3-N	8 spokes + 8 nipples 8 spokes + 8 nipples 50 nipples
---	---------------------------------	--

ACCESSORIES

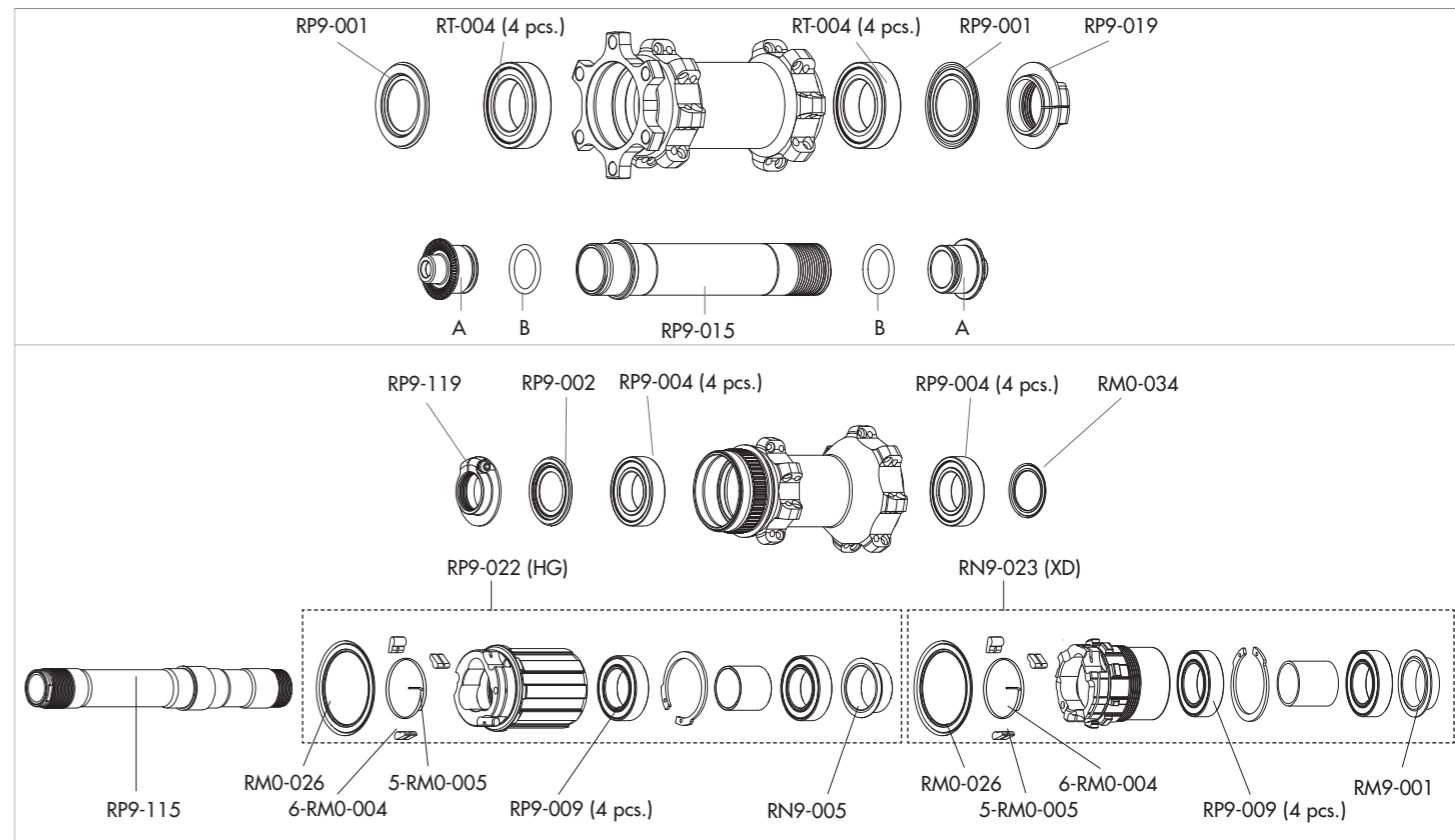
AFS LOCKRING	4-M1-101	to fix the brake disc
AFS LOCKRING TOOL	UT-BB130	
KIT QR	RM11-TAQR	for front wheel (2A + 2B)
KIT 15 thru-axle	KITFCFA15	for front wheel - from QR to 15mm thru axle

REAR WHEELS ADAPTERS KIT ON PAGE 134

RED POWER 27.5 HP

AFS
front: QR/15mm ta
rear: QR/12mm ta 142-135

HUBS/MOZZI

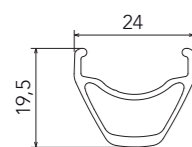


RED POWER 29 HP

6 BOLTS
front: QR/15mm ta
rear: QR/12mm ta 142-135

RIMS & SPOKES/CERCHI E RAGGI

RIM

	LABEL KIT VALVE HOLE RIM-TAPE DIAMETER	RP9-LAB15DBH (FRONT+REAR) 6,5 mm RP7-RT 622 X 19C
---	---	--

SPOKES

SPOKES Front LH / Rear LH SPOKES Front RH / Rear RH NIPPLES	RP9-DS21 RP9-DS22 50-R3-N	8 spokes + 8 nipples 8 spokes + 8 nipples 50 nipples
---	---------------------------------	--

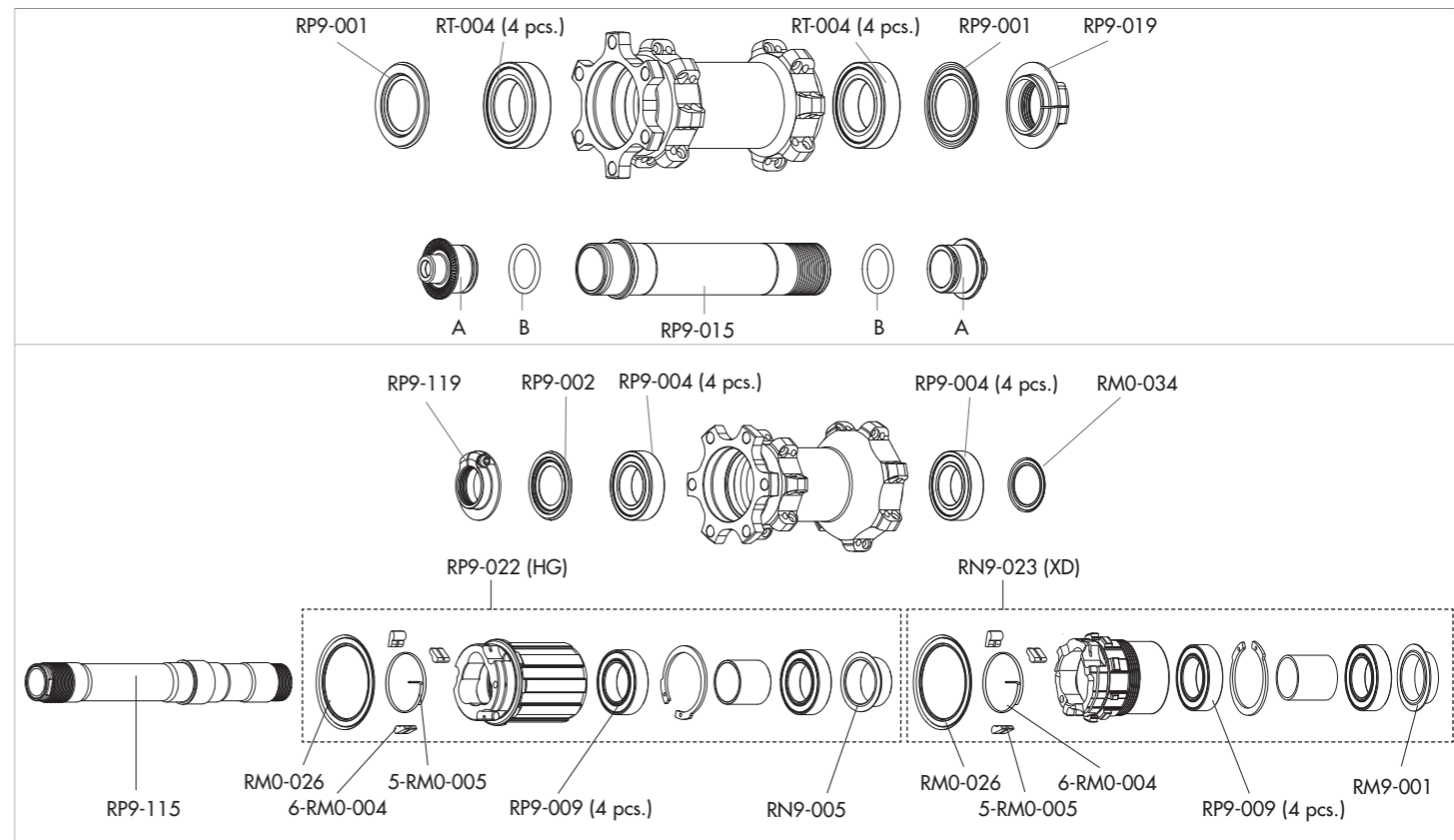
ACCESSORIES

KIT QR	RM11-TAQR	for front wheel (2A + 2B)
KIT 15 thru-axle	KITFCFA15	for front wheel - from QR to 15mm thru axle
<u>REAR WHEELS ADAPTERS KIT ON PAGE 134</u>		

RED POWER 29 HP

6 BOLTS
front: QR/15mm ta
rear: QR/12mm ta 142-135

HUBS/MOZZI

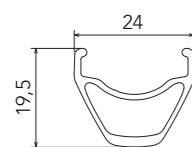


RED POWER 29 HP

AFS
front: QR/15mm ta
rear: QR/12mm ta 142-135

RIMS & SPOKES/CERCHI E RAGGI

RIM

	LABEL KIT VALVE HOLE RIM-TAPE DIAMETER	RP9-LAB15DBH (FRONT+REAR) 6,5 mm RP7-RT 622 X 19C
---	---	--

SPOKES

SPOKES Front LH / Rear LH SPOKES Front RH / Rear RH NIPPLES	RP9-DS21 RP9-DS22 50-R3-N	8 spokes + 8 nipples 8 spokes + 8 nipples 50 nipples
---	---------------------------------	--

ACCESSORIES

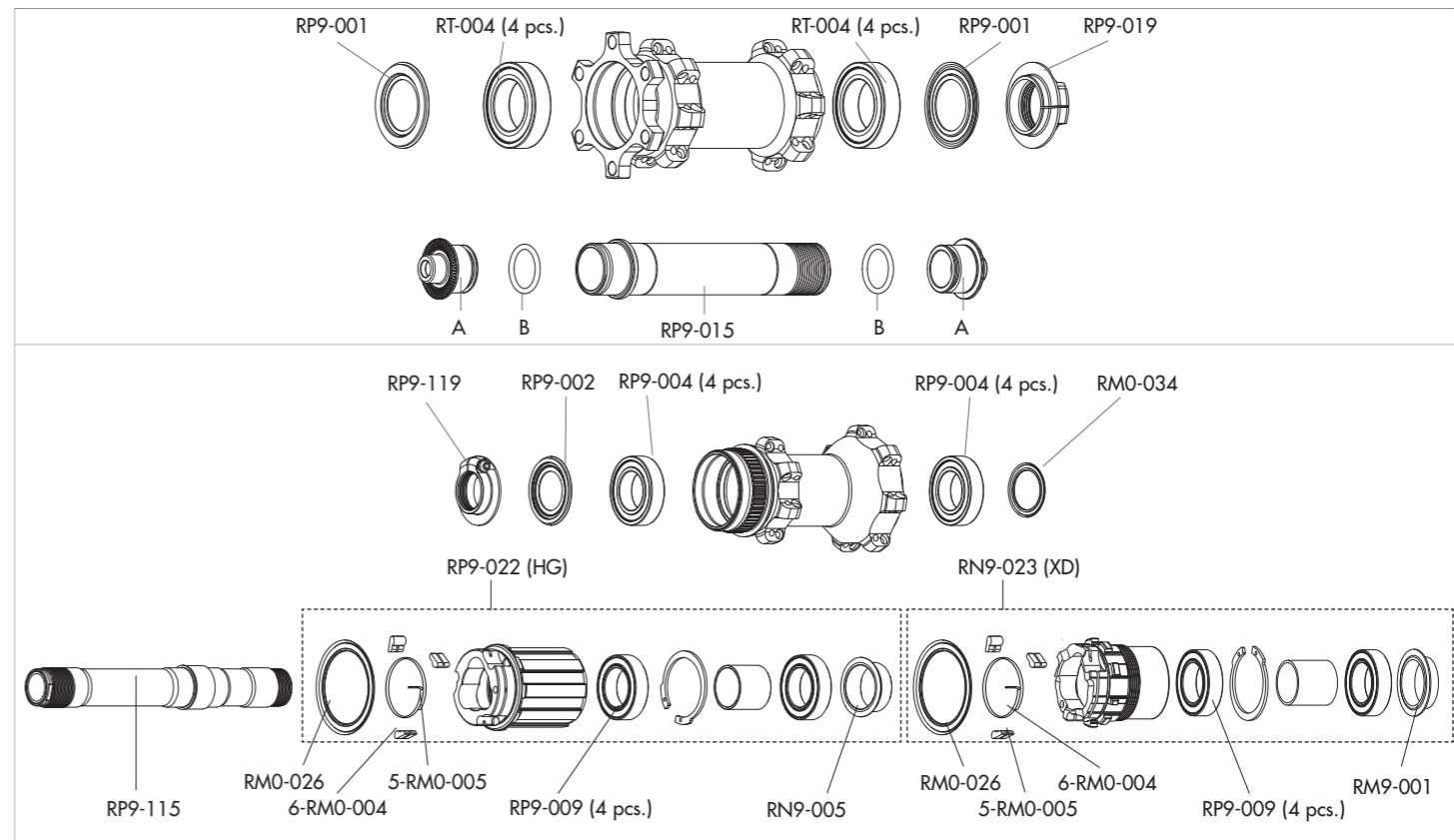
AFS LOCKRING	4-M1-101	to fix the brake disc
AFS LOCKRING TOOL	UT-BB130	
KIT QR	RM11-TAQR	for front wheel (2A + 2B)
KIT 15 thru-axle	KITFCFA15	for front wheel - from QR to 15mm thru axle

REAR WHEELS ADAPTERS KIT ON PAGE 134

RED POWER 29 HP

AFS
front: QR/15mm ta
rear: QR/12mm ta 142-135

HUBS/MOZZI

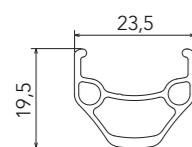


RED POWER 27.5

6 BOLTS
front: QR/15mm ta
rear: QR/12mm ta 142-135

RIMS & SPOKES/CERCHI E RAGGI

RIM

	LABEL KIT VALVE HOLE RIM-TAPE DIAMETER	RP7-LAB15DB (FRONT+REAR) 6,5 mm RP7-RT 584 X 19C
---	---	---

SPOKES

SPOKES Front LH / Rear LH SPOKES Front RH / Rear RH NIPPLES	RP7-DS13 RP7-DS04 50-R3-N	8 spokes + 8 nipples 8 spokes + 8 nipples 50 nipples
---	---------------------------------	--

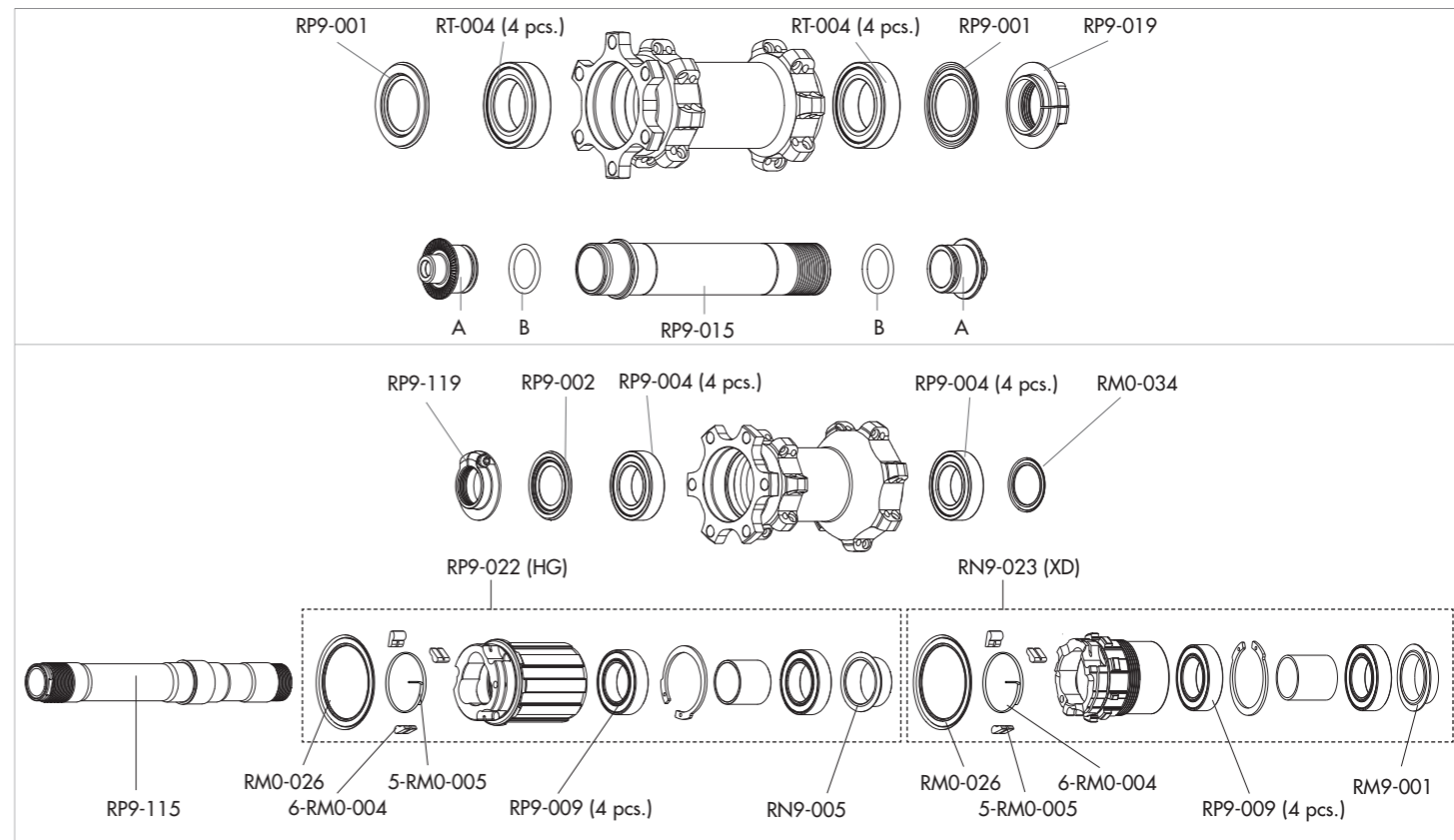
ACCESSORIES

KIT QR	RM11-TAQR	for front wheel (2A + 2B)
KIT 15 thru-axle	KITFCFA15	for front wheel - from QR to 15mm thru axle
REAR WHEELS ADAPTERS KIT ON PAGE 134		

RED POWER 27.5

6 BOLTS
front: QR/15mm ta
rear: QR/12mm ta 142-135

HUBS/MOZZI

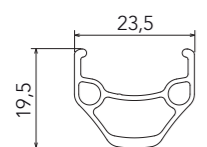


RED POWER 27.5

AFS
front: QR/15mm ta
rear: QR/12mm ta 142-135

RIMS & SPOKES/CERCHI E RAGGI

RIM

	<p>LABEL KIT VALVE HOLE RIM-TAPE DIAMETER</p>	<p>RP7-LAB15DB (FRONT+REAR) 6,5 mm RP7-RT 584 X 19C</p>
---	---	---

SPOKES

<p>SPOKES Front LH / Rear LH SPOKES Front RH / Rear RH NIPPLES</p>	<p>RP7-DS13 RP7-DS04 50-R3-N</p>	<p>8 spokes + 8 nipples 8 spokes + 8 nipples 50 nipples</p>
--	--	---

ACCESSORIES

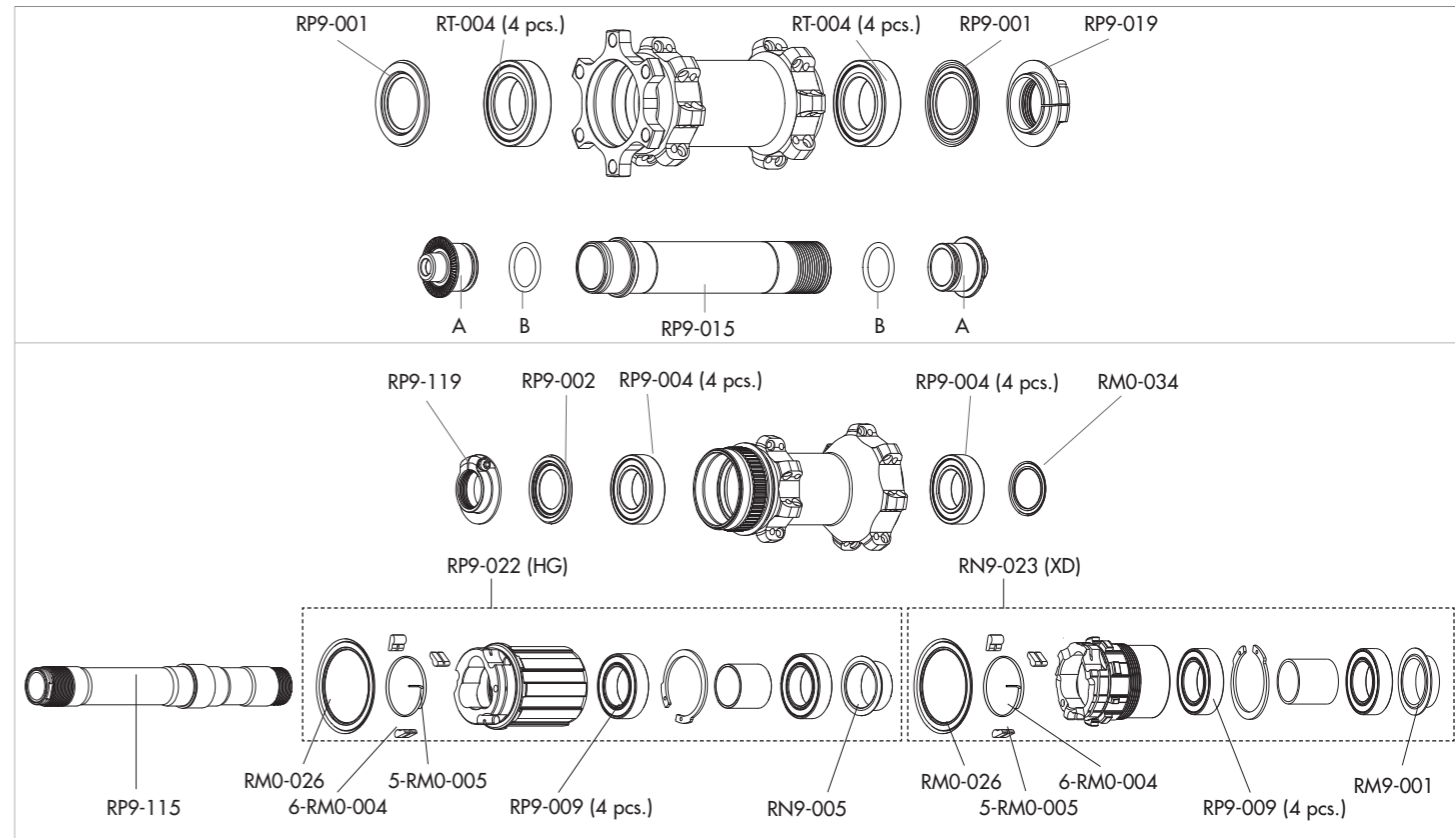
AFS LOCKRING	4-M1-101	to fix the brake disc
AFS LOCKRING TOOL	UT-BB130	
KIT QR	RM11-TAQR	for front wheel (2A + 2B)
KIT 15 thru-axle	KITFCFA15	for front wheel - from QR to 15mm thru axle

REAR WHEELS ADAPTERS KIT ON PAGE 134

RED POWER 27.5

AFS
front: QR/15mm ta
rear: QR/12mm ta 142-135

HUBS/MOZZI

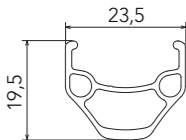


RED POWER 29

6 BOLTS
front: QR/15mm ta
rear: QR/12mm ta 142-135

RIMS & SPOKES/CERCHI E RAGGI

RIM

	<p>LABEL KIT VALVE HOLE RIM-TAPE DIAMETER</p>	<p>RP9-LAB15DB (FRONT+REAR) 6,5 mm RP7-RT 622 X 19C</p>
---	---	--

SPOKES

<p>SPOKES Front LH / Rear LH SPOKES Front RH / Rear RH NIPPLES</p>	<p>RP9-DS13 RP9-DS14 50-R3-N</p>	<p>8 spokes + 8 nipples 8 spokes + 8 nipples 50 nipples</p>
--	--	---

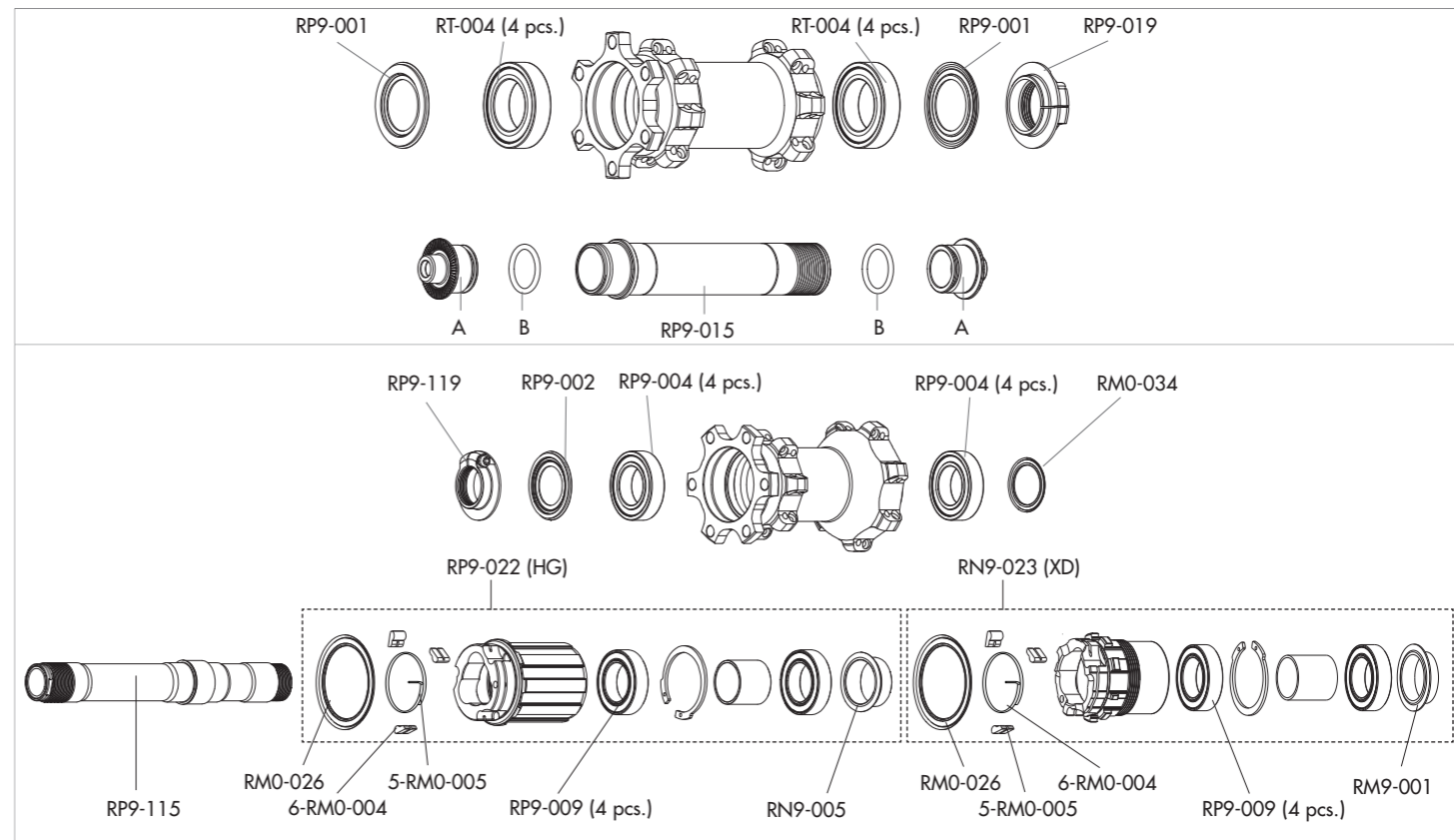
ACCESSORIES

<p>KIT QR</p>	<p>RM11-TAQR</p>	<p>for front wheel (2A + 2B)</p>
<p>KIT 15 thru-axle</p>	<p>KITFCFA15</p>	<p>for front wheel - from QR to 15mm thru axle</p>
<p><u>REAR WHEELS ADAPTERS KIT ON PAGE 134</u></p>		

RED POWER 29

6 BOLTS
front: QR/15mm ta
rear: QR/12mm ta 142-135

HUBS/MOZZI

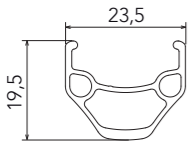


RED POWER 29

AFS
front: QR/15mm ta
rear: QR/12mm ta 142-135

RIMS & SPOKES/CERCHI E RAGGI

RIM

	<p>LABEL KIT VALVE HOLE RIM-TAPE DIAMETER</p>	<p>RP9-LAB15DB (FRONT+REAR) 6,5 mm RP7-RT 622 X 19C</p>
---	---	---

SPOKES

<p>SPOKES Front LH / Rear LH SPOKES Front RH / Rear RH NIPPLES</p>	<p>RP9-DS13 RP9-DS14 50-R3-N</p>	<p>8 spokes + 8 nipples 8 spokes + 8 nipples 50 nipples</p>
--	--	---

ACCESSORIES

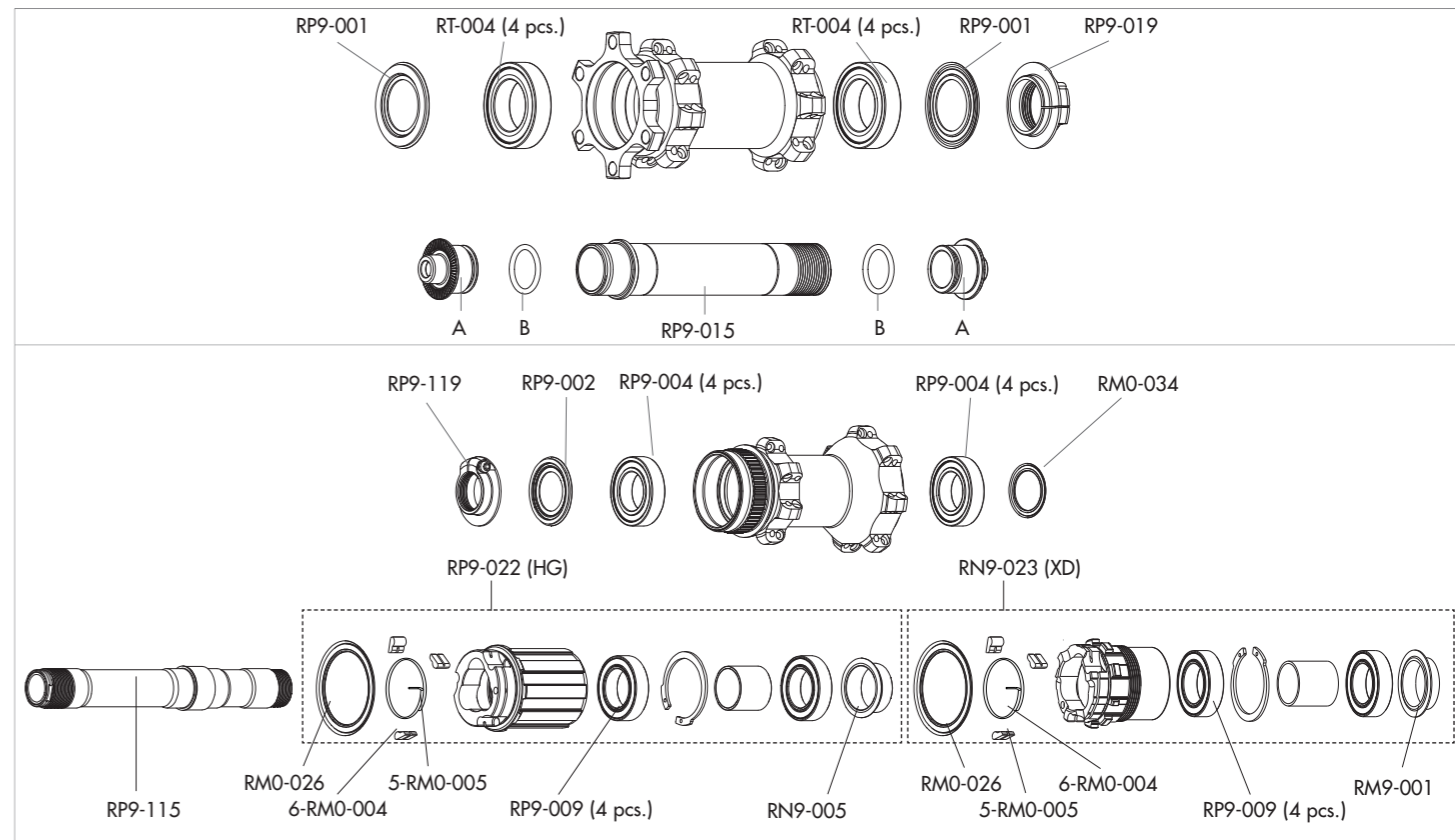
<p>AFS LOCKRING</p>	<p>4-M1-101</p>	<p>to fix the brake disc</p>
<p>AFS LOCKRING TOOL</p>	<p>UT-BB130</p>	
<p>KIT QR</p>	<p>RM11-TAQR</p>	<p>for front wheel (2A + 2B)</p>
<p>KIT 15 thru-axle</p>	<p>KITFCFA15</p>	<p>for front wheel - from QR to 15mm thru axle</p>

REAR WHEELS ADAPTERS KIT ON PAGE 134

RED POWER 29

AFS
front: QR/15mm ta
rear: QR/12mm ta 142-135

HUBS/MOZZI



ADAPTERS FOR FULL COMP FRONT AXLE

RED POWER/RED POWER HP/RED PASSION

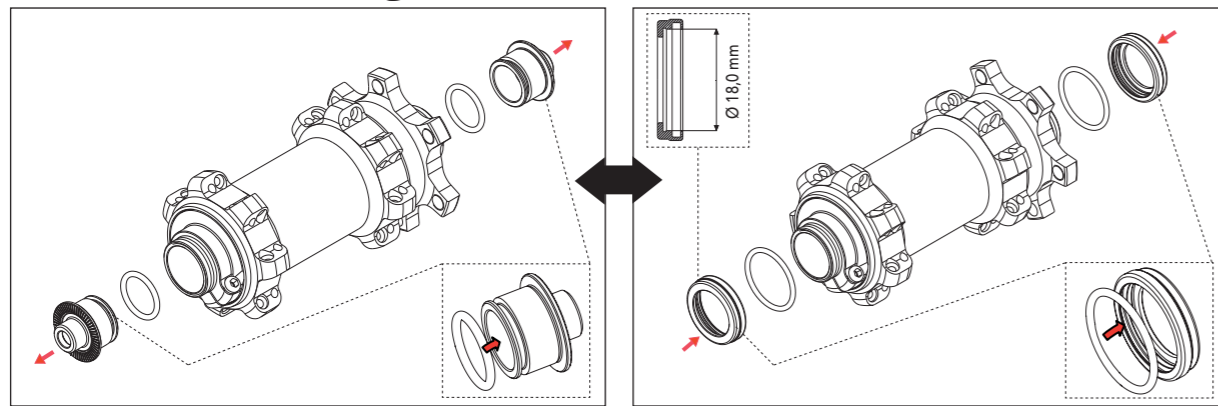
QUICK RELEASE ↔ THRU-AXLE 15 mm ADAPTER

QR Ø 9mm - 100mm

Thru axle Ø 15mm - 100mm

RM11-TAQR

KITFCFA15



ADAPTERS FOR NON FULL COMP FRONT AXLE

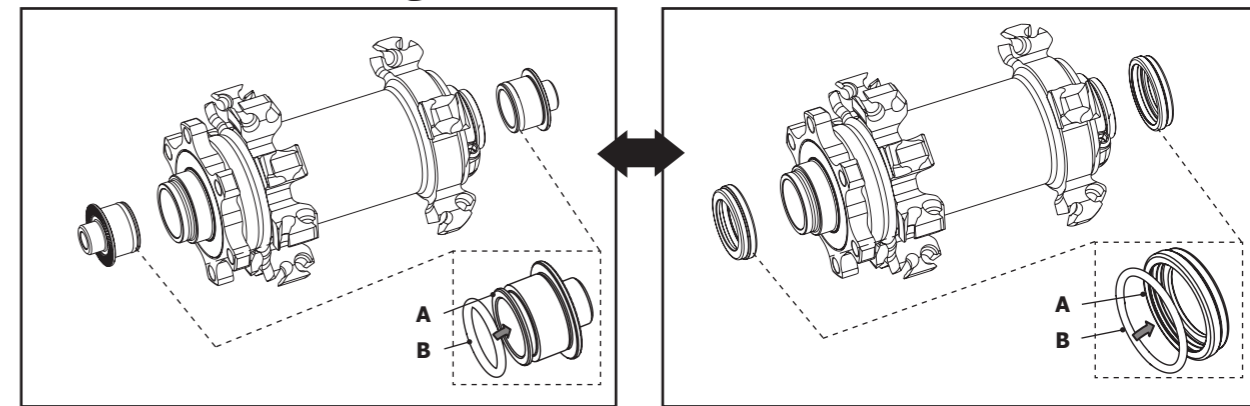
QUICK RELEASE ↔ THRU-AXLE 15 mm ADAPTER

QR Ø 9mm - 100mm

Thru axle Ø 15mm - 100mm

RM11-TAQR

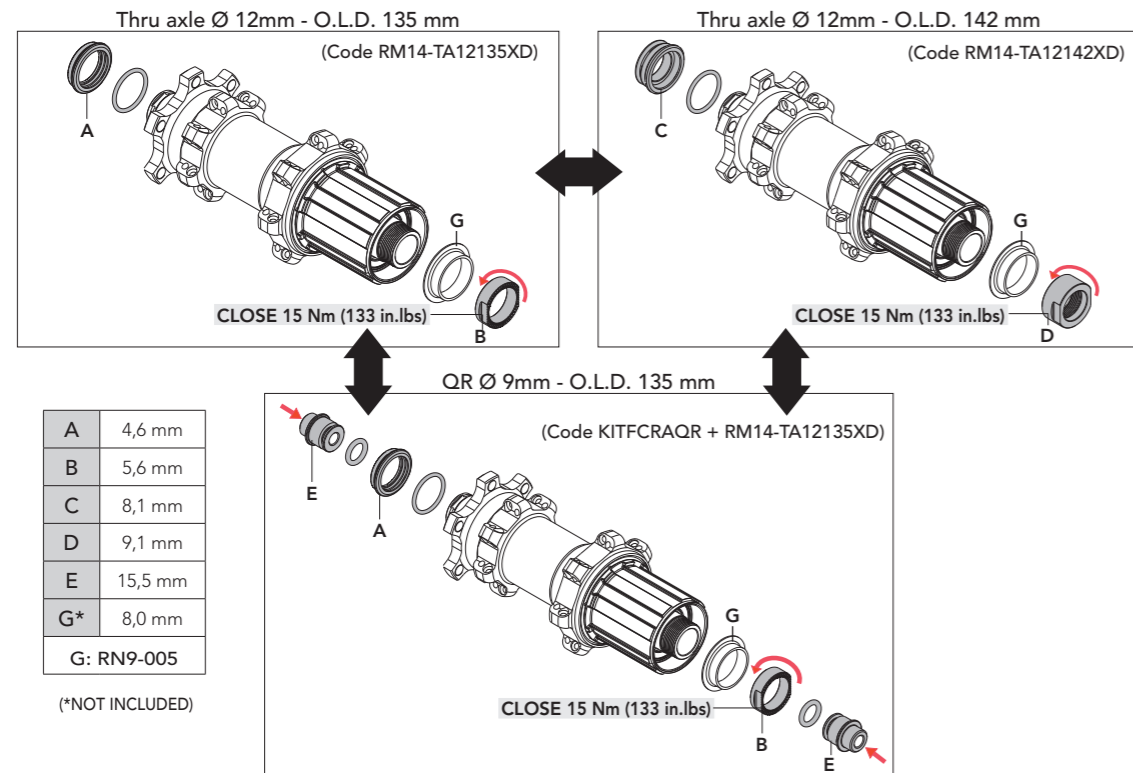
RM11-TA15



ADAPTERS FOR FULL COMP REAR AXLE

RED POWER/RED POWER HP/RED PASSION

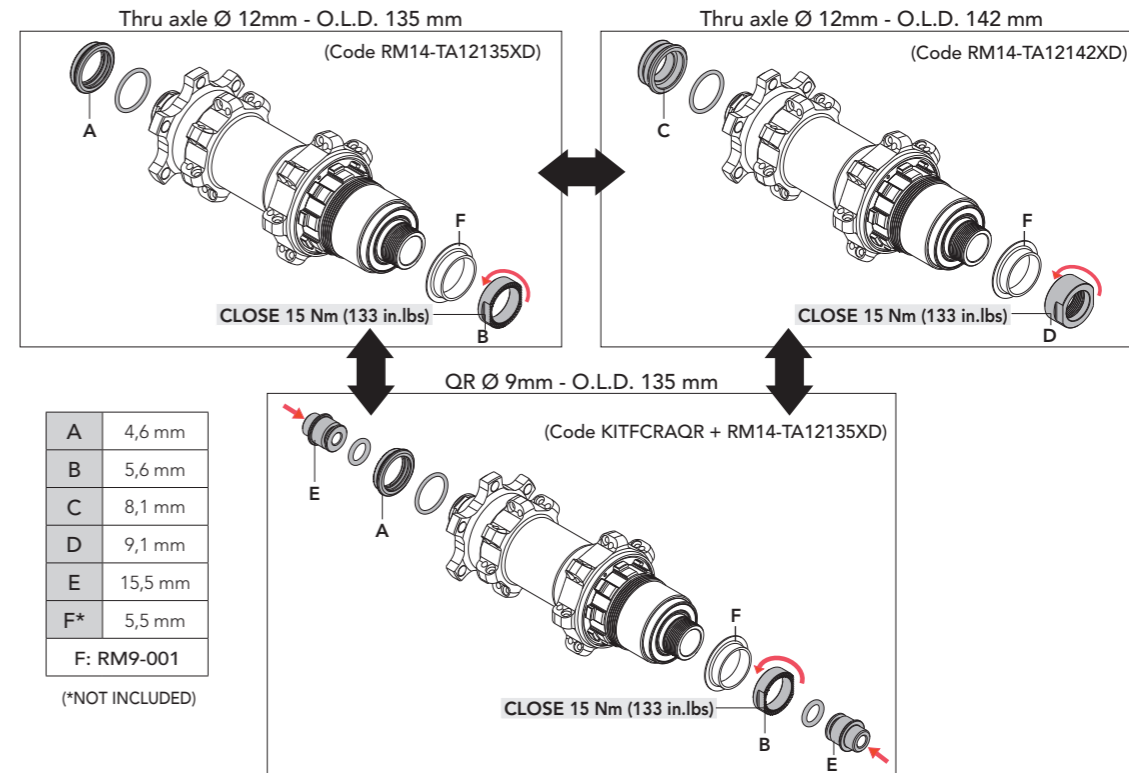
HG FW body



ADAPTERS FOR FULL COMP REAR AXLE

RED POWER/RED POWER HP/RED PASSION

XD FW body

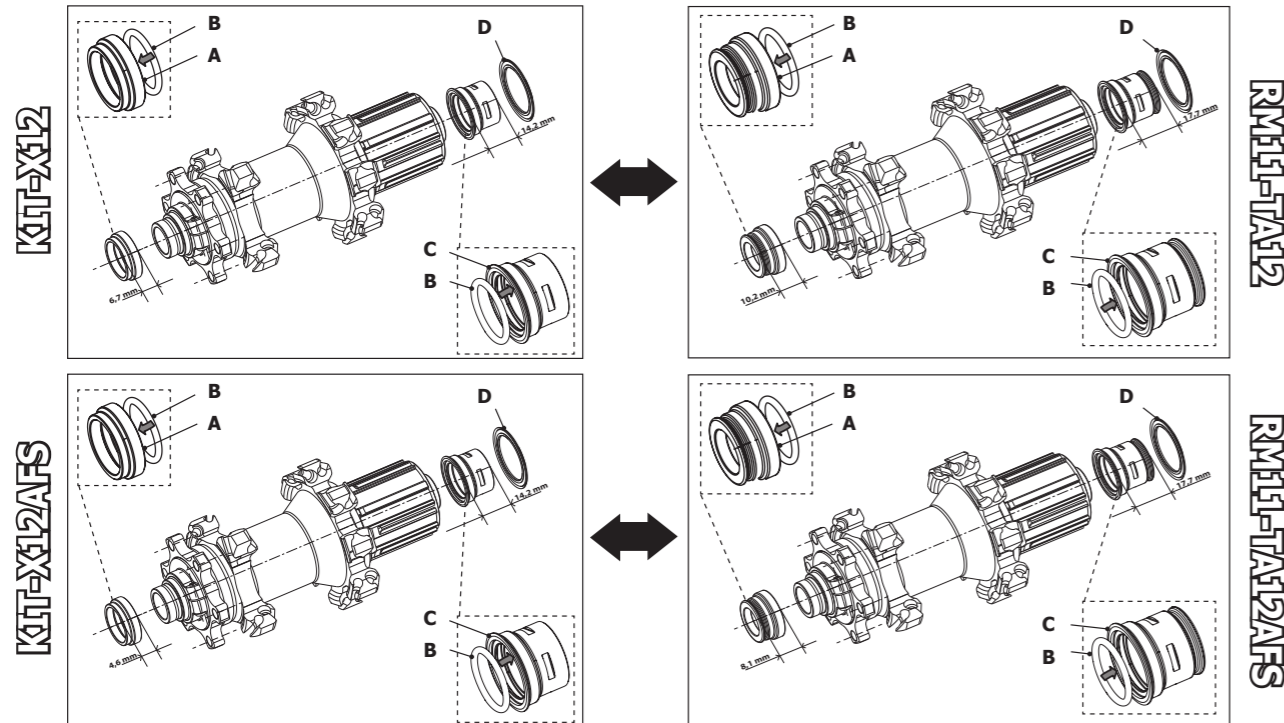


ADAPTERS FOR NON FULL COMP REAR AXLE

HG FW body

Thru-Axle 12mm/135mm ↔ Syntace X-12/142mm ADAPTER

Thru axle Ø 12mm - O.L.D. 135mm Thru axle Ø 12mm - O.L.D. 142mm



ADAPTERS FOR RED METAL XRP

XD FW body

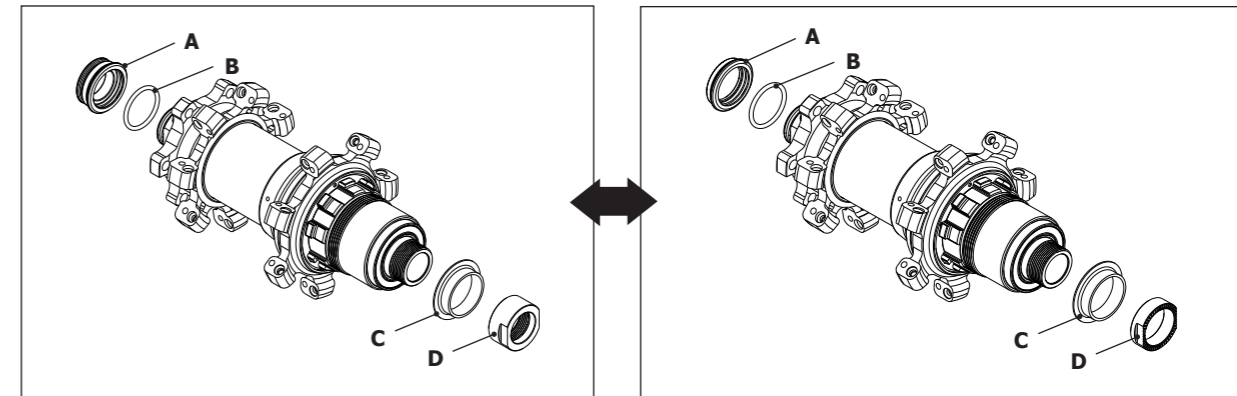
XD FW body

Thru-Axle 12mm/142mm ↔ Thru-Axle 12mm/135mm

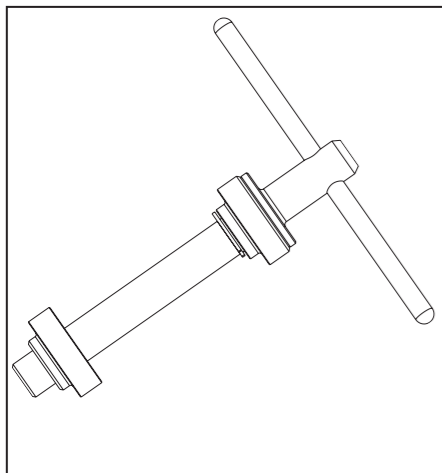
Thru axle Ø 12mm - O.L.D. 142mm Thru axle Ø 12mm - O.L.D. 135mm

RM14-TA12142XD

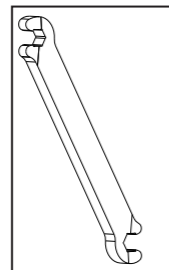
RM14-TA12135XD



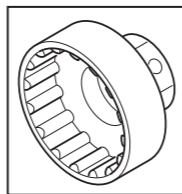
TOOLS



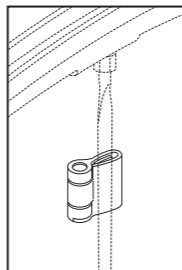
UT-BB140
 Attrezzo calotte RACING TORQ™ OS-fit™
 Tool for RACING TORQ™ OS-fit™ cups
 Outil pour cuvettes RACING TORQ™ OS-fit™



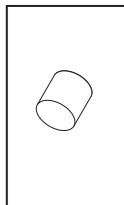
T-07
 Chiave tiraraggi
 Spoke spanner
 Clé à rayons



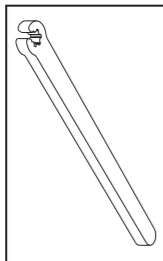
UT-BB130
 Attrezzo calotte RACING TORQ™ /
 ghiera AFST™
 Tool for RACING TORQ™ cups / AFST™
 lockring
 Outil pour cuvettes RACING TORQ™ /
 écrou AFST™



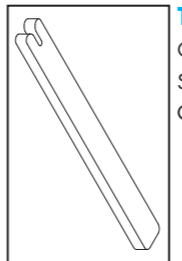
T-09
 Magnete velocità
 SPD magnet
 Aimant vitesse



T-05
 Magnete guida-nipplo
 Nipple guide magnet
 Aimant de guidage écrou

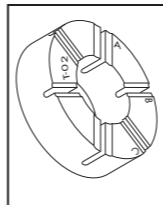


T-24 RED CARBON / RED PASSION
 Chiave tiraraggi
 Spoke spanner
 Clé à rayons

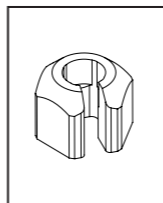


T-25 RED CARBON / RED PASSION
 Chiave anti-rotazione raggi
 Spoke antirotation tool
 Outil antirotation des rayons

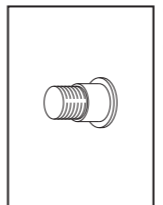
TOOLS



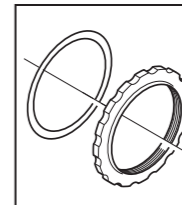
T-02
 Anello anti-rotazione raggi
 Spoke antirotation ring
 Bague antirotation des rayons



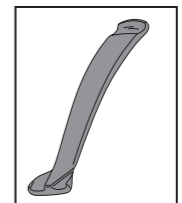
T-18
 Chiave tiraraggi per nipplo in alluminio
 Spoke spanner for aluminum nipple
 Clé à rayons pour écrou en aluminum



T-03 RACING 1 / RACING ZERO / RED METAL ZERO / RED CARBON / RED METAL 1
T-10 RED METAL 3 / 29 XLR / FIRE / ZONE XLR / RACING 3 / RACING QUATTRO
T-11 RED WIND XLR / RED WIND / RACING SPEED XLR 35 / RACING SPEED 35 / RACING
 SPEED XLR 80 / RACING SPEED 80 / RED METAL 29 XRP / RED METAL XRP 650B
 Inserto nipplo attira-magnete
 Magnet-attracting nipple insert
 Insert d'écrou pour attirer l'aimant



4-M1-101 (4 pcs.)
 Ghiera AFST™
 AFST™ lockring
 Ecrou AFST™



WH-109HYC (6 pcs.)
 Leva in composito per rimozione copertoncino
 Composite lever for removing clinchers
 Démonte-pneus en composite

QUICK RELEASES



RED PASSION 29 / 27.5

RM0-QFR

RED METAL™ ZERO XRP

RM0-QFR

RED METAL™ 3

RM5-QFR

RED METAL™ XRP 650B

RM9-QFR

RED METAL™ 29 XRP

RM9-QFR

RED POWER™ XL

RM5-QFR

RED POWER™ 29 / 27.5 HP

RM5-QFR

RED POWER™ 29 / 27.5

RM5-QFR

HEADQUARTERS

FULCRUM WHEELS S.R.L.

Via E.Fermi 13
36057 Arcugnano (VI)
Tel. +39 0444 289306
Fax +39 0444 962844
info@fulcrumwheels.com
technical@fulcrumwheels.com

BRANCH OFFICES

FRANCE

FULCRUM FRANCE
58640 Varennes Vauzelles
Tel. +33 386 577867
infos@fulcrumwheels.fr

FULCRUM CENTRAL EUROPE

BERLIN GERMANY
Tel: +49 (163) 625 8941
info@fulcrum-ce.com

JAPAN

FULCRUM JAPAN
65 Yoshida-cho, Naka-ku
231-0041 Yokohama
Tel +81 45 264 2780
info@fulcrum-jp.com

NORTH AMERICA - USA

FULCRUM NORTH AMERICA
Sarasota, Florida
Tel +1 (941) 894 7930
info@fulcrum-na.com

TAIWAN

PRIMATEK Ltd.
No.4, Gongyequ 10th Rd.
Taichung City 407 - Xitun Dist.
Taiwan (R.O.C.)
Tel: +886 4 23506831
Fax: +886 4 23596764
info@primatek.biz



www.fulcrumwheels.com